

MODEL: P26333A1FTB*

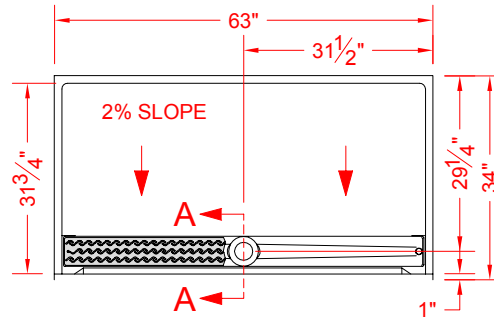
ALL ACCESSORIES OPTIONAL



SEE OVER



PERSPECTIVE VIEW - N.T.S.

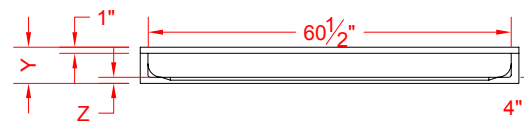


TOP VIEW - SCALE $\frac{3}{8}'' = 1'-0''$

Features:

- ADA compliant roll-in shower pan with trench drain and stainless steel grate
- Available in various threshold heights
- Molded gelcoat/fiberglass shower pan
- No mud set is required and an anchoring adhesive kit is supplied

*OTHER THRESHOLD HEIGHTS AVAILABLE UPON REQUEST



FRONT ELEVATION - SCALE: $\frac{3}{8}'' = 1'-0''$

MODEL #	UNIT HEIGHT	THRESHOLD HEIGHT
P26333A1FTB	Y	Z*
P26333A2FTB	6"	1" MIN.
	7"	2" MAX.

* - SEE BACK FOR DETAIL SECTIONS

PRODUCT SPECIFICATIONS:

- Molded shower pan shall be constructed of gelcoat/fiberglass and have a stainless steel trench drain grate.
- Rough-In: Stud opening +1/4" -0" Nominal Dimensions.

C.S.I. FORMAT SPECIFICATION TEXT AVAILABLE

PRODUCT INFORMATION:

- Accessories: Factory installed, unless prone to damage during installation/shipping. Polished chrome/satin stainless standard, others available.
- Colors: White as standard, others to match any major fixture manufacturer, also available with sprayable solid surface in many colors
- Custom curb heights, other than shown, are available (between min. and max.)

ACCESSORIES:

INSTALLED BY OTHERS:

- Grab bar
- Seat, folding
- Mixing valve, pressure balanced, lever handle, preplumbed tree to supply elbow
- Curtain and rod
- Caulkless drain

CODES:

- Designed and manufactured in compliance with the following standards and codes:
- A.N.S.I. Z124.2 Standards for Plastic Showers
 - I.P.C. International Plumbing Code
 - U.P.C. Uniform Plumbing Code
 - A.D.A. Accessibility Guidelines for Buildings and Facilities
 - A.N.S.I. A117.1 Accessible and Usable Buildings and Facilities

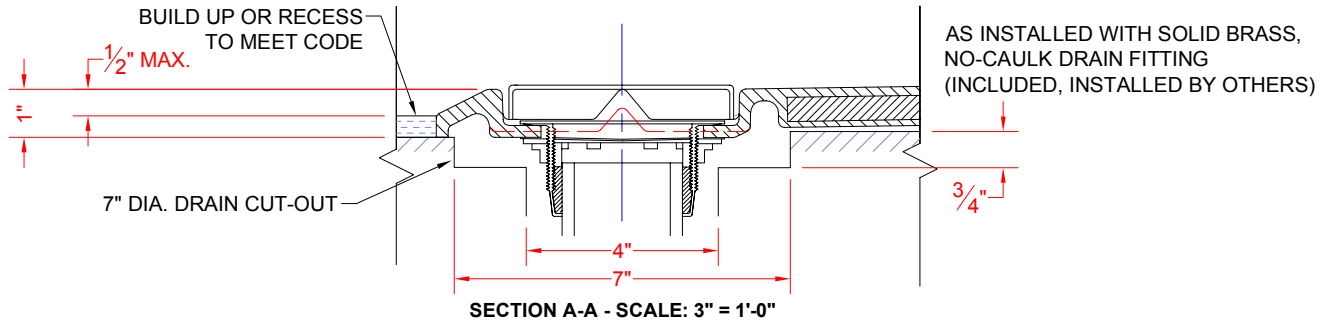
NOTICE OF LIMITATION:

- Adhere to floor as required

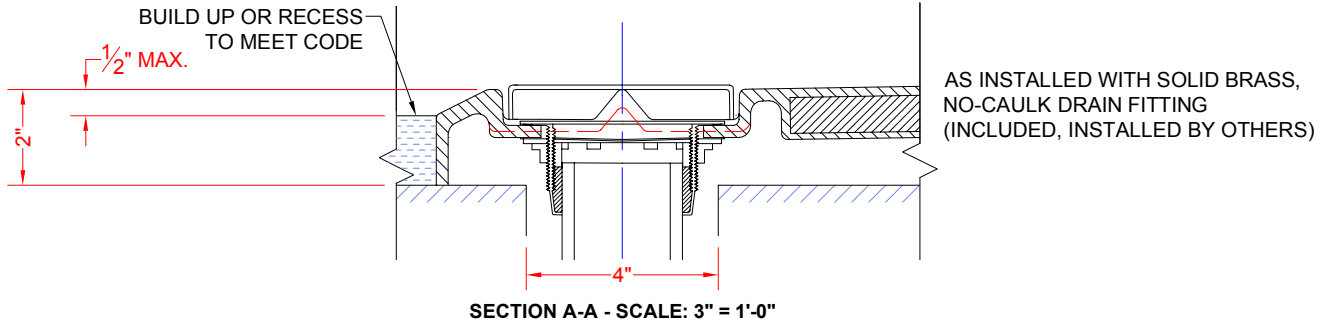


We reserve the right to make revisions without notice in the design of fixtures or in packaging unless this right has specifically been waived at the time the order is accepted.

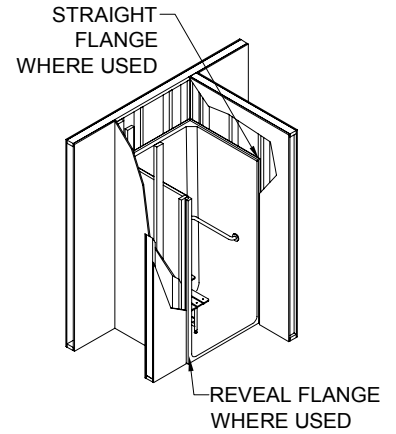
P26333A1FTB



P26333A2FTB



****OTHER THRESHOLD HEIGHTS AVAILABLE UPON REQUEST****



TYPICAL FRAMING