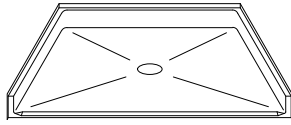


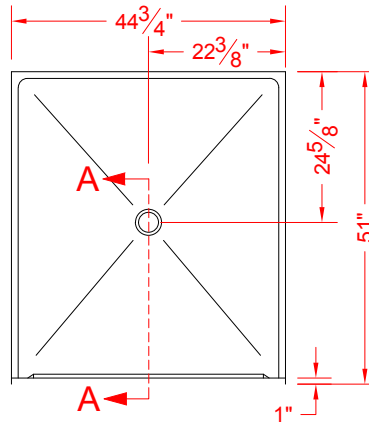
MODEL: P24550B5B*

BARRIER FREE

ALL ACCESSORIES OPTIONAL



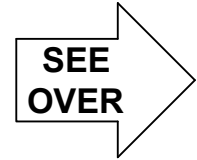
PERSPECTIVE VIEW - N.T.S.



TOP VIEW - SCALE $\frac{3}{8}$ " = 1'-0"



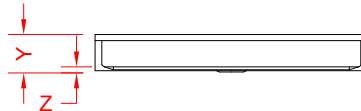
CA TITLE 24
COMPLIANT



Features:

- Molded, one piece gelcoat/fiberglass shower pan to meet 2010 CBC Title 24 1134A.6
- Available in various threshold heights
- On all threshold, heights 1-1/2" or taller, no mud set is required
- On all Threshold, heights 1-1/4" or shorter, no mud set is required, but an epoxy adhesive kit is supplied

*OTHER THRESHOLD HEIGHTS AVAILABLE UPON REQUEST



FRONT ELEVATION - SCALE: $\frac{3}{8}$ " = 1'-0"

	UNIT HEIGHT	THRESHOLD HEIGHT
MODEL #	Y	Z*
P24550B5B	5-5/8"	5/8" MIN.
P24550B2B	7"	2" MAX.

* - SEE BACK FOR DETAIL SECTIONS

PRODUCT SPECIFICATIONS:

- One piece shower pan shall be constructed of gelcoat/fiberglass
- Rough-In: Stud opening + 1/4"-0" Nominal Dimensions.

C.S.I. FORMAT SPECIFICATION TEXT AVAILABLE

PRODUCT INFORMATION:

- Colors: White as standard, others to match any major fixture manufacturer, also available with sprayable solid surface in many colors

ACCESSORIES:

INSTALLED BY OTHERS:

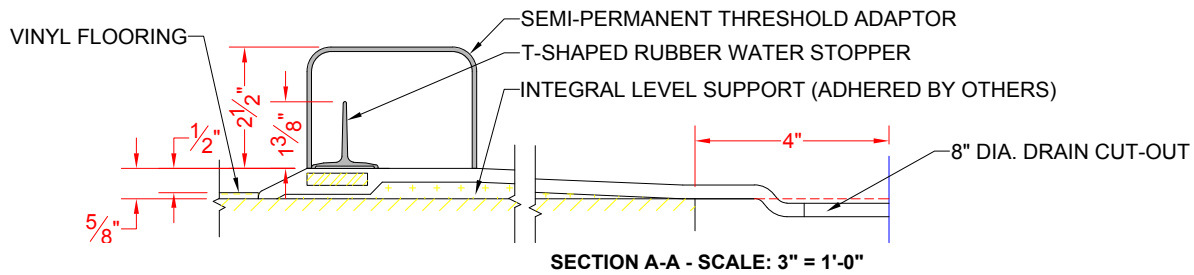
- Collapsible Rubber Water Retainer
- Semi-permanent Threshold Adaptor
- Caulkless drain

CODES:

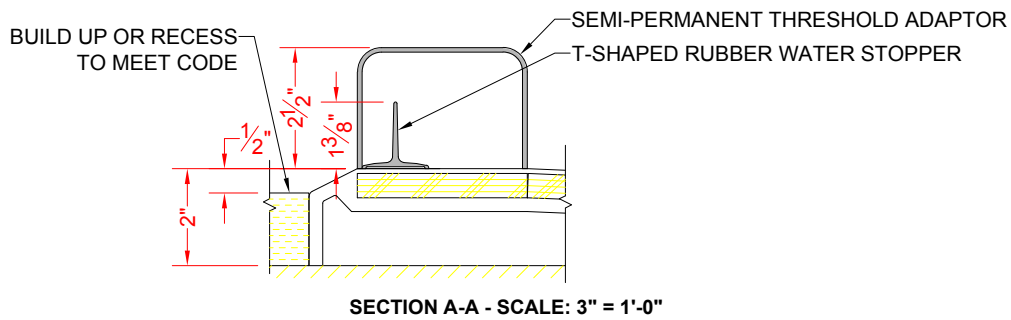
Designed and manufactured in compliance with the following standards and codes:
 -A.N.S.I. Z124.2 Standards for Plastic Showers
 -2010 California Building Code Title 24 1134A.6

NOTICE OF LIMITATION:

P24550B5B



P24550B2B



****OTHER THRESHOLD HEIGHTS AVAILABLE UPON REQUEST****