



Specifications

Rubber WaterStopper Kit

"THE SOLUTION TO WET FLOORS"



- Material:

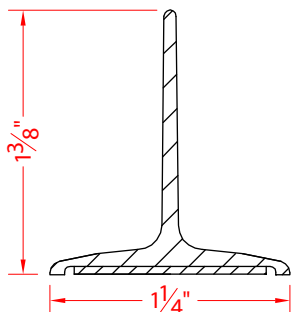
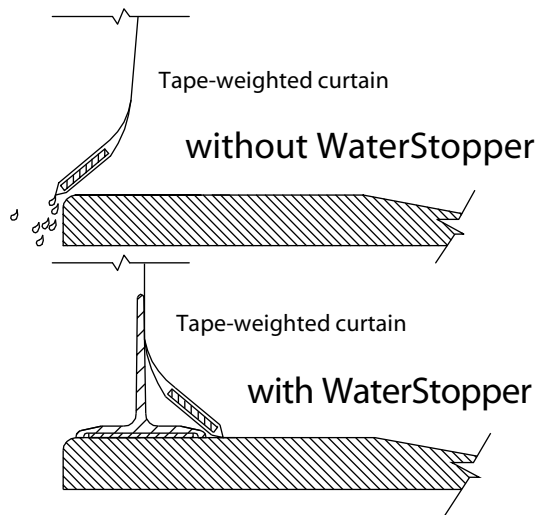
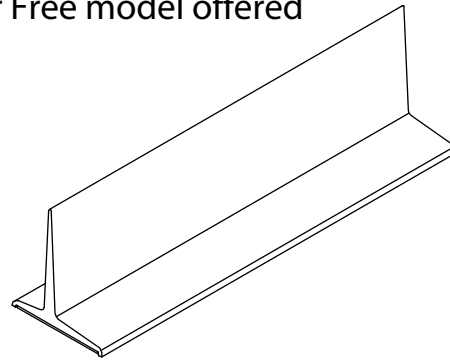
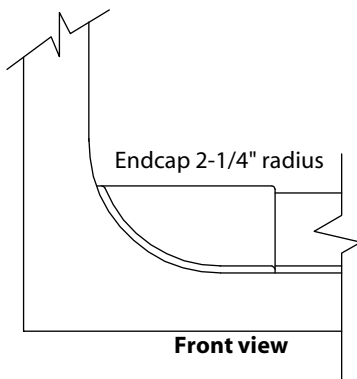
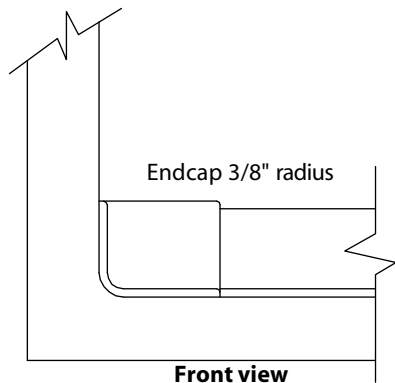
T-shaped Strip: Grey or Beige EPDM Rubber, 50 Durometer

Endcaps: injection molded Vyram rubber, matching color

- Dimensions: Will fit on any Access ADA or Barrier Free model offered

- Available for other Brands

- Installation: Self-Adhesive



Cross Section
Scale 1:1

