



# INSTALLATION INSTRUCTIONS

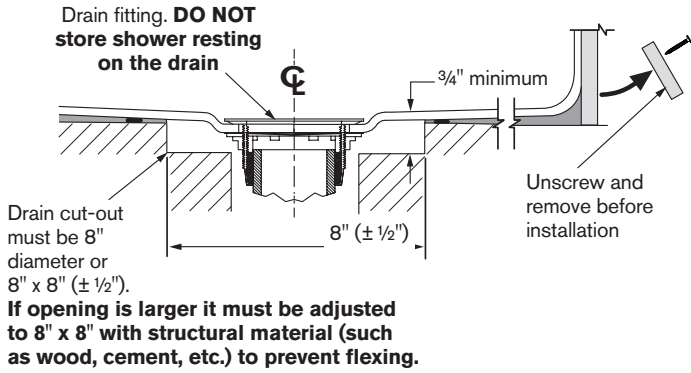
## Low Profile 1-Piece Shower

with blue, high-density polyurethane bottom



**CAUTION: IF NOT INSTALLED PROPERLY, THE SHOWER MAY NOT PERFORM AS DESIGNED AND WILL NOT BE COVERED BY THE WARRANTY. The extremely low profile of this shower may eliminate the need for recessing. However, in order to get full and permanent contact with the floor, it MUST be installed per these instructions.**

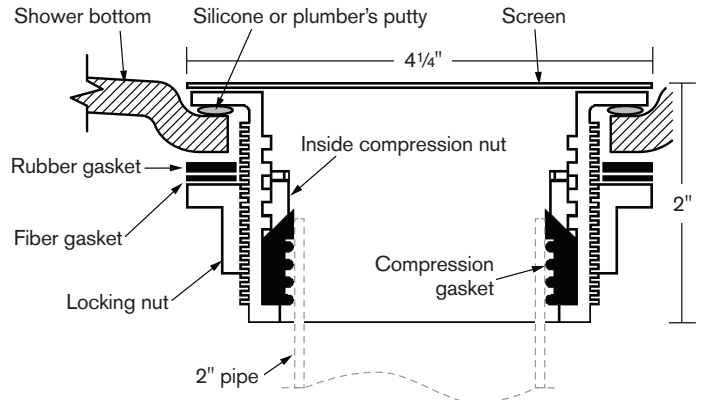
### Cross-section of low-profile shower (installed)



### Shower Installation

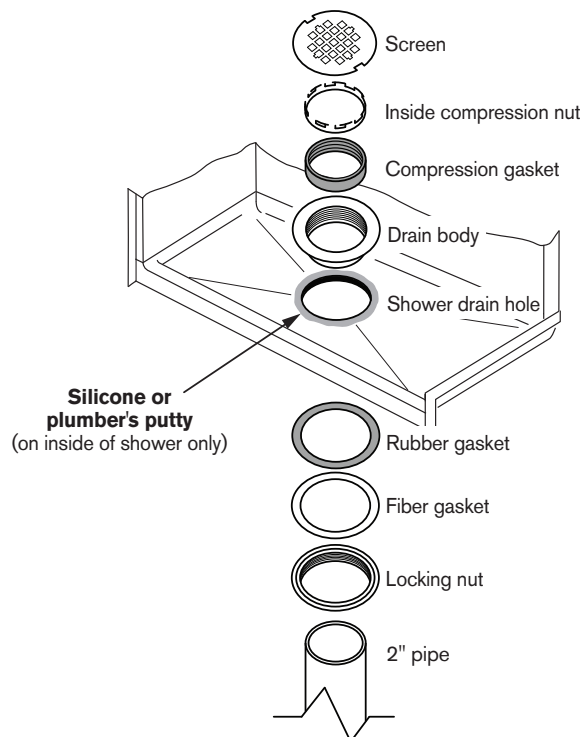
- 1 Check shower pocket area for level and for correct dimensions. Make sure drain hole in floor is the correct distance from studs. The floor must be within 1/8" of level, especially around drain box-out.
- 2 **The shower drain pipe must be centered in an 8" diameter or 8" x 8" (± 1/2") opening in the floor.** If the opening is larger, it must be adjusted to 8" x 8" with structural material (such as wood, cement, etc.) to prevent flexing. See illustration above.
- 3 **DRY-FIT THE SHOWER:** Remove elevation blocks from bottom of leveling blocks (see illustration above) and set shower unit in the pocket. You **MUST** use a level to ensure shower is level, without low spots, and positioned correctly. Shim if necessary; see Step 11.
- 4 Draw a line on the floor along front edge of shower. This will provide a guideline for positioning the shower after adhesive is applied.
- 5 Remove shower from the framing pocket. Have a plumber install drain fitting in shower bottom. The plumber should also prepare the drain pipe to receive the drain; the pipe must be centered in the 8 x 8 cutout. **Do not** store shower resting on drain.
- 6 Sweep the floor and remove all debris from pocket area so adhesive will adhere to the floor properly. The floor may be damp but there should be no standing water.
- 7 Clean underside of shower to remove any debris stuck to it.
- 8 Place shower in pocket then tip the unit forward so the face is lying on the floor while you apply adhesive to the floor. Starting in a corner, apply 1" diameter x 3/4" tall dollops of supplied adhesive every 6". The example on page 1 shows the epoxy pattern for a 63" x 37" shower.
- 9 Tip shower back up into position, making sure it aligns with curb line drawn in Step 4. **Avoid stepping in shower until adhesive has cured.** To monitor cure time, put adhesive between two pieces of scrap wood and press to about 1/16" apart. Set aside until Step 12.
- 10 Construct weight plates (see page 1). These plates distribute the weight evenly, which helps prevent deformities in the sloping floor. They also help ensure that the adhesive spreads evenly and bonds securely to both shower bottom and floor.
- 11 **Make sure floor drains properly and doesn't have any low spots by pouring water on it or checking it with a level. If in doubt, remove shower and review the previous steps.**
- 12 Check cure time sample from step 9. When the pieces of scrap wood are bonded, remove weight plates and screw flanges to framing. Be sure to avoid stepping inside the shower until the adhesive has fully cured.

### Cross-section of drain (installed)



### No-Caulk Drain Installation

- 1 Remove inside compression nut and compression gasket.
- 2 Apply silicone or plumber's putty around shower drain hole on the inside of shower only.
- 3 Install drain body in shower drain hole.
- 4 Install rubber gasket, fiber gasket and locking nut; tighten locking nut.
- 5 Install shower over drain pipe (or install pipe later.)
- 6 Slide inside compression gasket into drain body and slip over pipe. **Make sure beveled end of inside compression gasket is facing up and is flush with pipe surface.**
- 7 Tighten inside compression nut into drain body using the tool provided.



**See front page for additional installation information and important instructions**