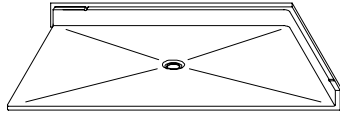
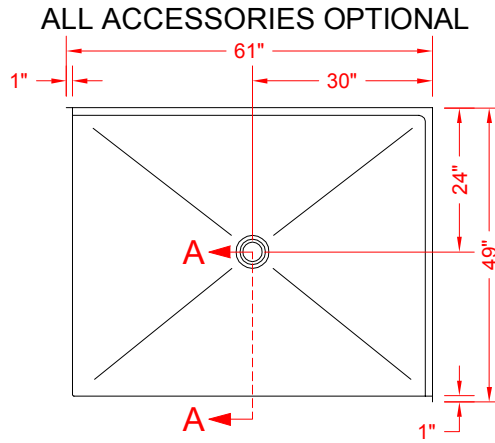


# MODEL: PC6048B1T.V2\*

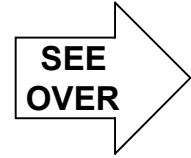
## BARRIER FREE



PERSPECTIVE VIEW - N.T.S.  
MODEL SHOWN HERE AS:



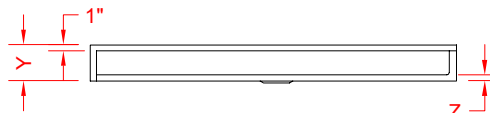
TOP VIEW - SCALE  $\frac{3}{8}'' = 1'-0''$



### Features:

- Molded, single-piece gelcoat/fiberglass shower pan
- Available in various threshold heights
- On all threshold, heights 1-1/2" or taller, no mud set is required
- On all Threshold, heights 1-1/4" or shorter, no mud set is required, but an epoxy adhesive kit is supplied

### \*OTHER THRESHOLD HEIGHTS AVAILABLE UPON REQUEST



FRONT ELEVATION - SCALE:  $\frac{3}{8}'' = 1'-0''$

MODEL #	UNIT	THRESHOLD
	HEIGHT	HEIGHT
PC6048B1T.V2	Y	Z*
PC6048B1T.V2	6"	1" MIN
PC6048B2T.V2	7"	2" MAX

\* - SEE BACK FOR DETAIL SECTIONS

### PRODUCT SPECIFICATIONS:

- Single-piece shower pan shall be constructed of gelcoat/fiberglass
- Rough-In: Stud opening + 1/4"-0" Nominal Dimensions.

C.S.I. FORMAT SPECIFICATION TEXT AVAILABLE

### PRODUCT INFORMATION:

-Colors: White as standard, others to match any major fixture manufacturer, also available with sprayable solid surface in many colors

### ACCESSORIES:

#### INSTALLED BY OTHERS:

- T-shaped rubber WaterStopper kit
- Semi-permanent threshold adaptor
- No-caulk brass drain

### CODES:

Designed and manufactured in compliance with the following standards and codes:

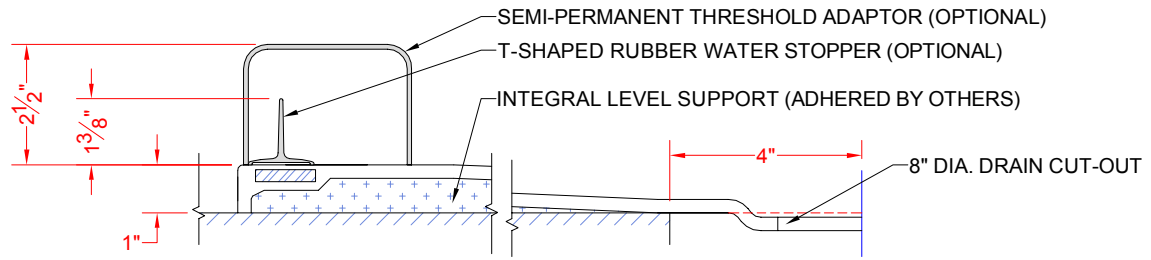
- ANSI Z124.2 Standards for Plastic Showers
- IPC International Plumbing Code
- UPC Uniform Plumbing Code
- ICC/ANSI A117.1-2009 Type B

### NOTICE OF LIMITATION:



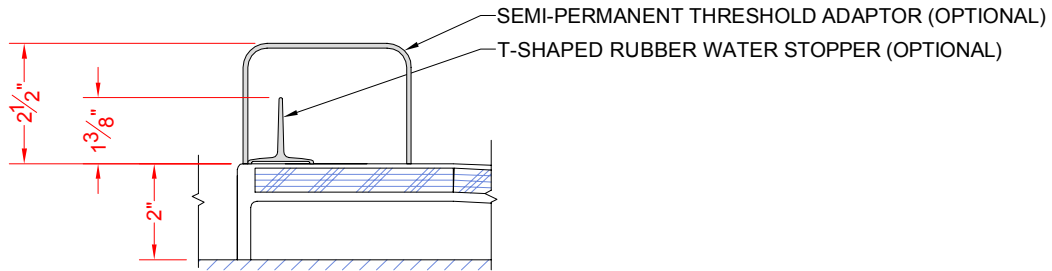
We reserve the right to make revisions without notice in the design of fixtures or in packaging unless this right has specifically been waived at the time the order is accepted.

□ PC6048B1T.V2



SECTION A-A - SCALE: 3" = 1'-0"

□ PC6048B2T.V2



SECTION A-A - SCALE: 3" = 1'-0"

**\*\*OTHER THRESHOLD HEIGHTS AVAILABLE UPON REQUEST\*\***