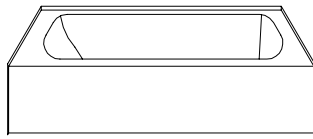


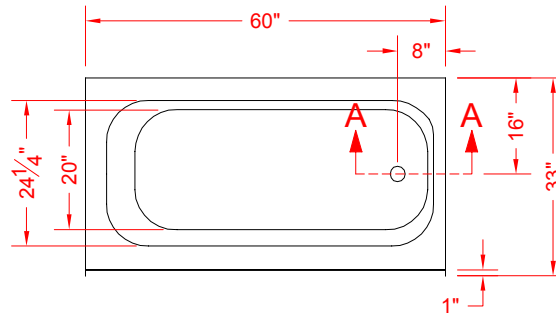
MODEL: T6032.V2

REMODELER

ALL ACCESSORIES OPTIONAL



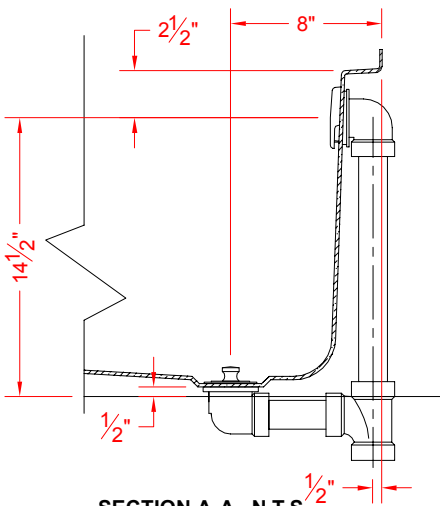
PERSPECTIVE VIEW - N.T.S.
SHOWN HERE AS:
RIGHT HAND



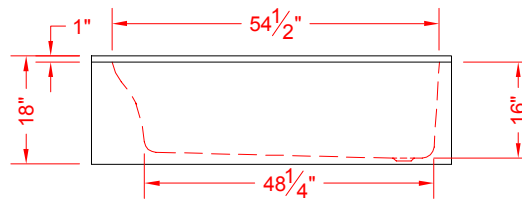
TOP VIEW - SCALE $\frac{3}{8}$ " = 1'-0"

Features:

- Single-piece skirted gelcoat/fiberglass bathtub
- Smooth finish, white (standard)
- Pre-leveled for easy installation



SECTION A-A - N.T.S.
DRAIN / OVERFLOW DETAIL



FRONT ELEVATION - SCALE: $\frac{3}{8}$ " = 1'-0"

PRODUCT SPECIFICATIONS:

- Single-piece soaker bathtub shall be constructed of gelcoat/fiberglass
- Rough-In: Stud opening +1/4" -0" Nominal Dimensions.

C.S.I. FORMAT SPECIFICATION TEXT AVAILABLE

PRODUCT INFORMATION:

- Accessories: Factory installed, unless prone to damage during installation/shipping. Polished chrome/satin stainless standard, others available.
- Colors: White as standard, others to match any major fixture manufacturer, also available with sprayable solid surface in many colors
- Fill volume with 170 lbs bather is 29 gallons

ACCESSORIES:

INSTALLED BY OTHERS:

- Seat, folding

CODES:

- Designed and manufactured in compliance with the following standards and codes:
- A.N.S.I. Z1241.2 Standards for plastic Bathtubs and Showers
 - I.P.C. International Plumbing Code
 - U.P.C. Uniform Plumbing Code

NOTICE OF LIMITATION:



We reserve the right to make revisions without notice in the design of fixtures or in packaging unless this right has specifically been waived at the time the order is accepted.