



A narrower tub for a big bathing experience!

The Bestbath[®] Escape 5128 has a narrow external dimension that allows access into most bathrooms without major door modification, eliminating additional remodeling costs, and comes in three tub options — soaker, air/water combo or microbubble. Extra deep tub lets you rehabilitate at home, or just enjoy a long soak in a safe, comfortable spa-like tub.

A composite bowl with a luxurious gel coat surface over a welded steel frame produces a door opening impervious to twisting and warping. All Bestbath walk-in tubs offer a limited lifetime warranty.

The elegant, user-friendly patented door latch is constructed of stainless steel and brass components, no plastic. If adjustment should ever be necessary, it is easily made with this designer lever.

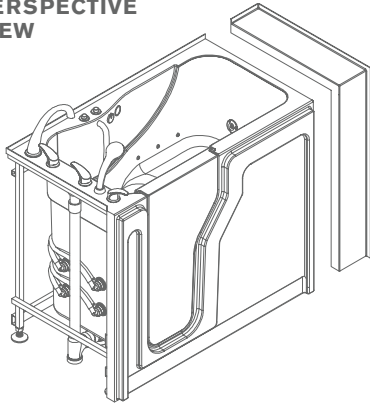
Hydro-jetted models feature the quietest whirlpool pump available, designed with a heat recycling feature to help maintain water temperature and eliminate the need for an in-line heater and additional wiring.

Stainless steel cable operated tub drain mechanism with a lever handle for easy operation. Pre-installed plumbing with quick connect lines for easy professional installation.

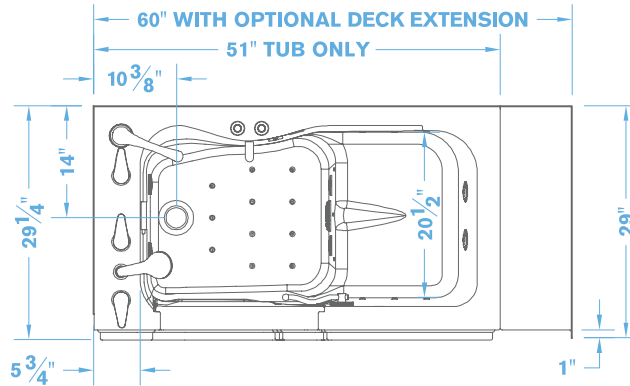
Deck extension, wall surround and optional ozonator sanitation system are available.

ESCAPE 5128

PERSPECTIVE VIEW



TOP VIEW



Options and accessories vary by model.

CODES

Designed and manufactured in compliance with the following standards and codes:

- C.S.A. B45.5-11 / A.N.S.I. Z124-2011 Plastic Plumbing Fixtures
- A.S.M.E. A112.19.7M-1995 Whirlpool Bathtub Appliances
- A.S.M.E. A112.19.8M-1987 Suction Fittings for use in Whirlpool Bathtubs
- A.S.M.E. A112.19.15-2001 Bathtubs / Whirlpool Bathtubs with pressure sealed doors
- Underwriters Laboratories 1795 Hydro Massage Bathtubs

Escape 5128 Features:

- Designed to fit in the space of your current bathtub
- Seat height is designed for ease of sitting and standing
- Extra deep for a full body soak
- Patented door lever-handle designed for easy operation
- Reliable door seal that comes with a limited lifetime warranty
- Allows you the freedom to rehabilitate at home, or enjoy a long soak in a safe, comfortable spa-like tub
- 2" drain kit for faster draining
- Space under tub allows for reverse plumbing
- Optional ozonator, air/water or microbubble upgrades available
- Optional Deck Extension or End Panel to complete alcove or corner installation



BESTBATH PRODUCTS ARE MADE IN THE USA and come with a limited lifetime warranty so you can relax knowing you're covered now and in the future.



bestbath.com

Toll Free 800.727.9907

Fax 208.333.8657

723 Garber Street

Caldwell, ID 83605

Reorder # 076FORM2026 02/18

Bestbath is a registered trademark of Best Bath System, Inc. © 2018 Best Bath System, Inc. All rights reserved.