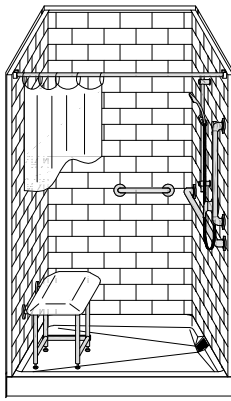
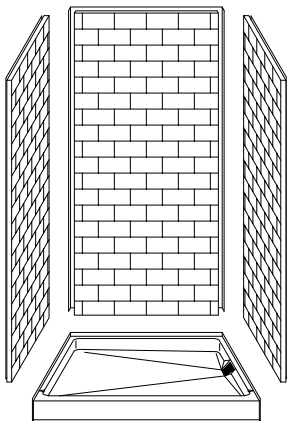


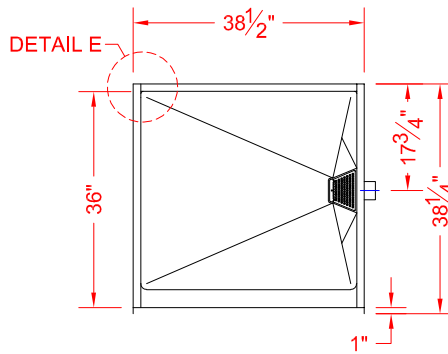
ALL ACCESSORIES OPTIONAL



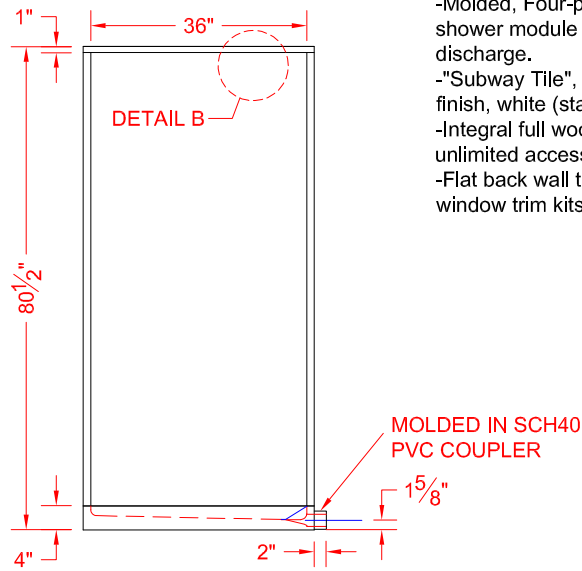
PERSPECTIVE VIEW - N.T.S.
MODEL SHOWN HERE AS:
RIGHT DRAIN



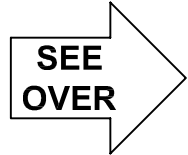
ASSEMBLY VIEW - N.T.S.



TOP VIEW - SCALE $\frac{3}{8}$ " = 1'-0"



FRONT ELEVATION - SCALE $\frac{3}{8}$ " = 1'-0"



Features:

- Molded, Four-piece gelcoat/fiberglass shower module with SCH40 PVC side discharge.
- "Subway Tile", 4" x 8" simulated tile wall finish, white (standard)
- Integral full wood backing for strength and unlimited accessory placement
- Flat back wall to avoid interference for window trim kits, grab bars, etc.

PRODUCT SPECIFICATIONS:

- Multi-piece shower module shall be constructed of gelcoat/fiberglass with full integral plywood backing in the walls
- Door opening: 36" x 75-1/4"
- Rough-In: Stud opening +1/4" -0" Nominal Dimensions.
- C.S.I. FORMAT SPECIFICATION TEXT AVAILABLE

PRODUCT INFORMATION:

- Accessories: Polished chrome/satin stainless standard, others available.
- Colors: White as standard, others to match any major fixture manufacturer, also available with sprayable solid surface in many colors

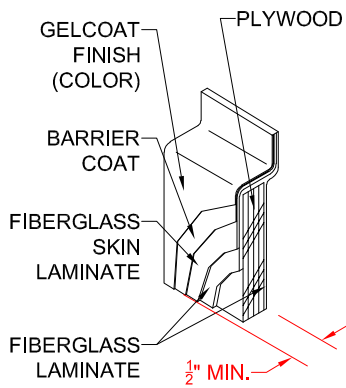
ACCESSORIES:

- INSTALLED BY OTHERS:**
- Grab bar
 - Seat, folding
 - Mixing valve, pressure-balancing, lever handle, pre-plumbed tree to supply elbow
 - Curtain and rod
 - Soap dish
 - Stainless steel drain screen (included)

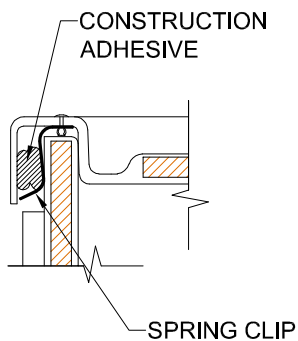
CODES:

- Designed and manufactured in compliance with the following standards and codes:
- A.N.S.I. Z124.2 Standards for Plastic Showers
 - I.P.C. International Plumbing Code
 - U.P.C. Uniform Plumbing Code

NOTICE OF LIMITATION:



DETAIL B - SCALE: 3" = 1'-0"
WALL SECTION DETAIL



DETAIL E - SCALE: NTS
WALL JOINT DETAIL