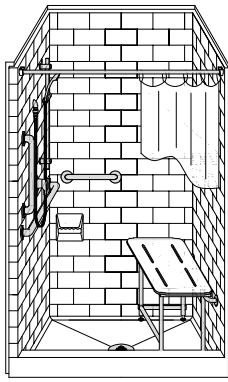


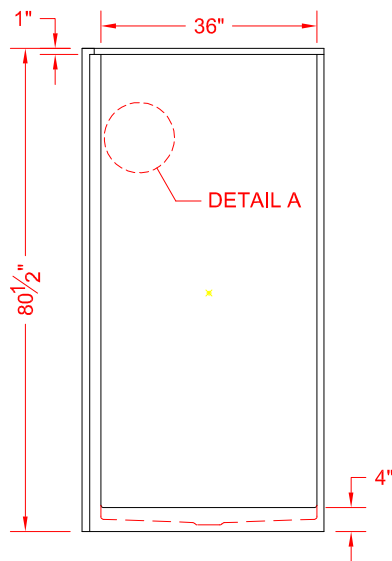
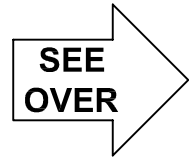
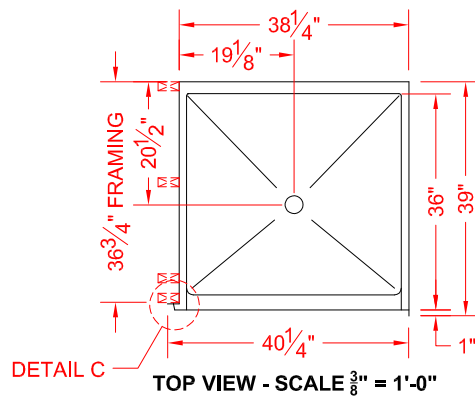
MODEL: LBS4038CP R/L

INDEPENDENT LIVING

ALL ACCESSORIES OPTIONAL



PERSPECTIVE VIEW - N.T.S.
MODEL SHOWN HERE AS:
RIGHT HAND SHELL
LEFT REVEAL



Features:

- Molded, One-piece gelcoat/fiberglass shower module with reveal
- "Subway Tile", 4" x 8" simulated tile wall finish, white (standard)
- Integral full wood backing for strength and unlimited accessory placement
- Flat upper back wall to avoid interference for window trim kits, grab bars, etc.

* - SEE BACK FOR DETAIL SECTIONS

PRODUCT SPECIFICATIONS:

- Single-piece shower module shall be constructed of gelcoat/fiberglass with full integral plywood backing in the walls
- Rough-In: Stud opening +1/4" -0" Nominal Dimensions.
- Door opening 36" x 75-1/4"

C.S.I. FORMAT SPECIFICATION TEXT AVAILABLE

PRODUCT INFORMATION:

- Accessories: Factory installed, unless prone to damage during installation/shipping. Polished chrome/satin stainless standard, others available.
- Colors: White as standard, others to match any major fixture manufacturer, also available with sprayable solid surface in many colors

ACCESSORIES:

INSTALLED BY FACTORY:

- Grab bar
- Mixing valve, pressure-balancing, lever handle, pre-plumbed tree to supply elbow
- Soap dish
- Seat, folding

INSTALLED BY OTHERS:

- Curtain and rod
- No-caulk brass drain

CODES:

- Designed and manufactured in compliance with the following standards and codes:
- A.N.S.I. Z1241.2 Standards for plastic Bathtubs and Showers
 - I.P.C. International Plumbing Code
 - U.P.C. Uniform Plumbing Code
 - ICC/ANSI A117.1-2009 Type B

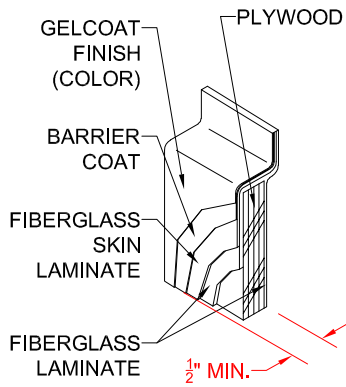
NOTICE OF LIMITATION:

- Reveal not recommended on common wall

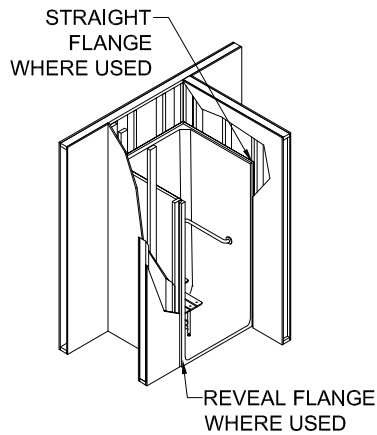


We reserve the right to make revisions without notice in the design of fixtures or in packaging unless this right has specifically been waived at the time the order is accepted.

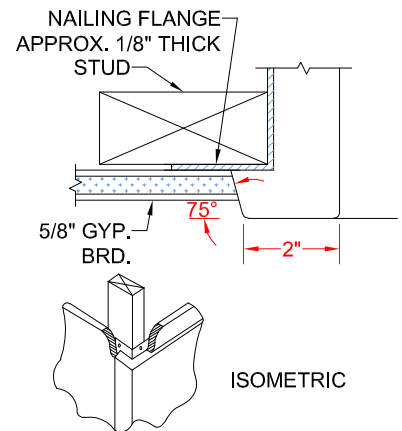
INDEPENDENT LIVING



DETAIL A - SCALE: 3" = 1'-0"
WALL SECTION DETAIL



DETAIL B - SCALE: NTS
TYPICAL FRAMING



DETAIL C - SCALE: 3" = 1'-0"
REVEAL DETAIL