



ESCAPE 5332



A better bathing experience!

The Bestbath® Escape 5332 walk-in tub has been designed with the user in mind, making it easier than ever to enjoy a relaxing bath in any of our three tub options — soaker, air/water combo or microbubble.

A large, ergonomically designed door allows users of any ability to easily and safely step into the tub without fear of slipping or falling. And with the optional air/water or microbubble pumps, our new easy-to-operate and reliable air switches mean comfort and relaxation are just a gentle push away.

This deep and wide tub allows the bather complete water coverage for a warm, soothing experience. The optional 22 heated air jets and 8 directional water jets are easy to operate with large air button switches, and the available microbubbles exfoliate and nourish the skin. All hydro-jetted models feature the quietest whirlpool pump available on the market, designed with a heat recycling feature to help maintain water temperature, reducing the need for an in-line heater. Ozonator sanitation system also available.

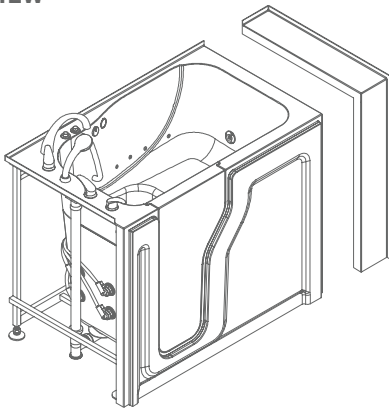
Bestbath air/water jet and microbubble walk-in tubs come standard with a seat warmer, controlled by a timer to keep the user warm and comfortable while the tub fills and drains.

The Escape 5332 tub comes standard with a 2" drain reducing drain time by almost 50%. Optional valve packages include either 3/4" or 1/2" plumbing to provide users the opportunity to outfit the tub based on their individual style and design.

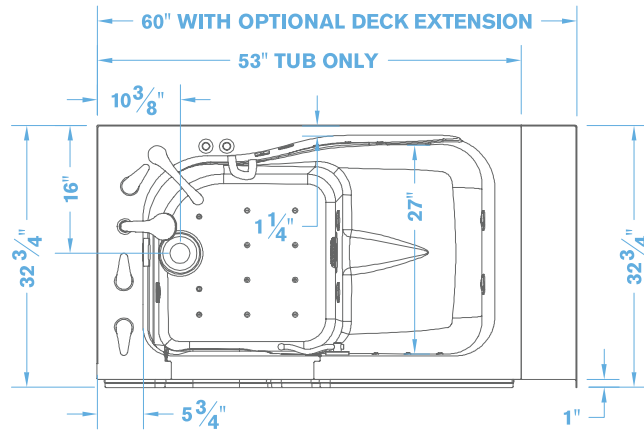
ESCAPE 5332

SHOWN WITH OPTIONAL DECK EXTENSION & JET SYSTEMS

PERSPECTIVE VIEW



TOP VIEW



Options and accessories vary by model.

CODES

Designed and manufactured in compliance with the following standards and codes:

- C.S.A. B45.5-11 / A.N.S.I. Z124-2011 Plastic Plumbing Fixtures
- A.S.M.E. A112.19.7M-1995 Whirlpool Bathtub Appliances
- A.S.M.E. A112.19.8M-1987 Suction Fittings for use in Whirlpool Bathtubs
- A.S.M.E. A112.19.15-2001 Bathtubs / Whirlpool Bathtubs with pressure sealed doors
- Underwriters Laboratories 1795 Hydro Massage Bathtubs

Escape 5332 Features:

- Designed to fit in the space of your current bathtub
- Seat height is designed for ease of sitting and standing
- Extra deep for a full body soak
- Patented door lever-handle designed for easy operation
- Reliable door seal that comes with a limited lifetime warranty
- Allows you the freedom to rehabilitate at home, or enjoy a long soak in a safe, comfortable spa-like tub
- 2" drain kit for faster draining
- Space under tub allows for reverse plumbing
- Optional Air/Water or microbubble upgrades available
- Optional Deck Extension or End Panel to complete alcove or corner installation
- Central controller requires just a single 20 amp circuit



BESTBATH PRODUCTS ARE MADE IN THE USA and come with a limited lifetime warranty so you can relax knowing you're covered now and in the future.



bestbath.com

Toll Free 800.727.9907
 Fax 208.333.8657
 723 Garber Street
 Caldwell, ID 83605