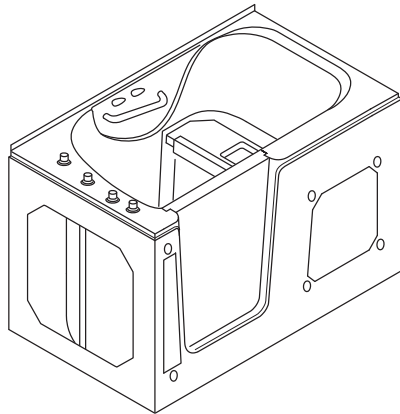


Escape Series Walk-in Bathtub

Model 6035 (soaker, water, air and microbubble jet models)

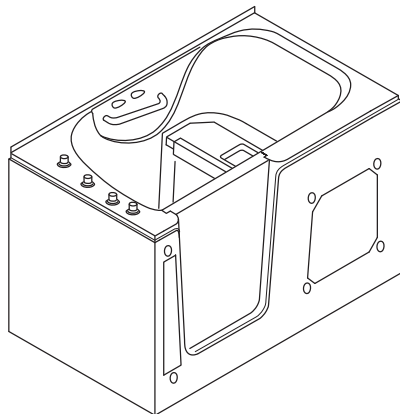
Includes instructions for:

Models with optional side access hole(s) for corner and alcove installations



and

Models with open back and front panel access for straight wall installations



Model XTW6035



THESE WARNINGS INCLUDE INSTRUCTIONS PERTAINING TO POTENTIAL RISKS OF FIRE, ELECTRIC SHOCK OR INJURY TO PERSONS.

IMPORTANT: READ AND FOLLOW ALL SAFETY INSTRUCTIONS

for units equipped with microbubbles or air/water jets

WARNING: Risk of accidental injury or drowning; children should not use hydromassage bathtub without adult supervision.

WARNING: Risk of accidental injury or drowning; do not use hydromassage bathtub unless all suction guards are installed to prevent body and hair entrapment.

WARNING: To avoid injury, exercise care when entering or exiting hydromassage bathtub.

WARNING: Risk of accidental injury or drowning; do not use drugs or alcohol before or during the use of a hydromassage bathtub equipped with heater to avoid unconsciousness and possible drowning.

WARNING: Risk of fetal injury; pregnant or possibly pregnant women should consult a physician before using a hydromassage bathtub equipped with heater.

WARNING: Risk of hyperthermia and possible drowning; do not use a hydromassage bathtub equipped with heater immediately following strenuous exercise.

WARNING: Risk of electric shock; do not permit electric appliances (such as a hair dryer, lamp, telephone, radio, or television) within 5 feet or 1.5 meters of this hydromassage bathtub.

CAUTION: Test the ground fault circuit interrupter protecting this appliance periodically in accordance with the manufacturer's instructions.

WARNING: Risk of hyperthermia and possible drowning; water temperature in excess of 38° C may be injurious to your health. Check and adjust water temperature before use.

WARNING: Risk of hyperthermia; people using medications and/or having an adverse medical history should consult a physician before using a hydromassage bathtub equipped with heater.

NOTE: Never drop or insert any object into any opening. Do not operate this unit without the guard over the suction fitting.

INSTRUCTIONS IMPORTANTES RELATIVES A LA SECURITE LIRE ET SUIVRE TOUTES LES INSTRUCTIONS

AVERTISSEMENT: Risque de blessure et de noyade. Ne pas laisser un enfant utiliser la cuve a remous en l'absence d'un adulte.

AVERTISSEMENT: Risque de blessure et de noyade. Pour eviter le happement de membres ou de chevox, ne pas utiliser la cuve a remous si les prises d'aspiration ne sont pas toutes munies d'une grille.

AVERTISSEMENT: Pour eviter les blessures, user de prudence en entrant dans la cuve a remous et en la quittant.

AVERTISSEMENT: Risque de blessure et de noyade. Ne pas prendre de medicament ni consommer d'alcool lorsqu'on utilise une cuve a remous chauffee ou avant d'y entrer afin d'eviter l'evanouissement et le risque d noyade.

AVERTISSEMENT: Danger pour le foetus. Les femmes enceintes, que leur grossesse soit confirmee ou non, devraient consulter un medecin avant d'utiliser une cuve a remous chauffee.

AVERTISSEMENT: Risque d'hyperthermie et de noyade. Ne pas utiliser une cuve a remous chauffee apres un exercice intense.

AVERTISSEMENT: Risque de choc electrique. Ne pas placer d'appareils electriques (luminaire, téléphone, radio, televiseur, etc.) a moins de 1,5 m de cette cuve a remous.

ATTENTION: Verifier regulierement le fonctionnement du disjoncteur de fuite a la terre conformement aux instructions du fabricant.

AVERTISSEMENT: Risque d'hyperthermie et de noyade. Une temperature d'eau superieure a 38° C peut presenter un risque pour la sante. Verifier et regler la temperature de l'eau avant d'utiliser la cuve.

AVERTISSEMENT: Risque d'hyperthermie. Les personnes qui prennent des medicaments ou qui ont des problemes de sante devraient consulter un medecin avant d'utiliser une cuve a remous chauffee.

FOR INDOOR USE ONLY

UTILISER A L'INTERIEUR SEULEMENT

! Bestbath® water, air and microbubble jet bathtubs may be equipped with a water mixing valve. **The desired valve settings must be completed by the installer.** Resetting or tampering with the valve mechanism may lead to serious injury. Refer to the temperature setting instructions supplied with the valves.

ELECTRICAL INSTALLATION: WARNINGS AND INSTRUCTIONS

Install in accordance with the National Electric Code (NFPA 70)

INSTALL THIS UNIT IN ACCORDANCE WITH THE
CANADIAN ELECTRICAL CODE, PART 1.

INSTALLER CONFORMEMENT AU CODE CANADIEN
DE L'ÉLECTRICITÉ, PREMIÈRE PARTIE.

WARNING— When using electrical products, basic precautions should always be followed, including the following:

- **DANGER: RISK OF ELECTRIC SHOCK.** Connect only to a circuit protected by a ground-fault circuit-interrupter. Such a GFCI should be provided by the installer and should be tested on a routine basis. To test the GFCI, push the test button. The GFCI should interrupt power. Push the reset button. Power should be restored. If the GFCI fails to operate in this manner, the GFCI is defective. If the GFCI interrupts power to the bathtub without the test button being pushed, it means a ground current is flowing, indicating the possibility of an electric shock. If this occurs, do not use the bathtub. Disconnect the bathtub and have the problem corrected by a qualified service representative before using.
- Grounding is required. The unit should be installed by a qualified service representative and grounded.
- A qualified service technician must perform all electrical wiring, service and repair in accordance with all applicable local and national codes. Failure to do so may pose an electrical hazard.
- For bathtubs with water, air or microbubble jet systems, you must have at least one 20 amp/120 volt circuit available.
- The power cord **must** be plugged into the appropriate receptacle behind the unit skirting/access panels.
- Before making any electrical connections, make certain that the electrical power is turned **off** at the breaker and take measures to ensure it **cannot** accidentally be turned back on.
- Building materials and wiring should be routed away from the blower or heat producing components of the system to prevent the risk of heat damage or fire.

DOOR DRAIN AND DOOR LATCH SCHEMATICS

(see additional schematics and instructions on page 4–6)

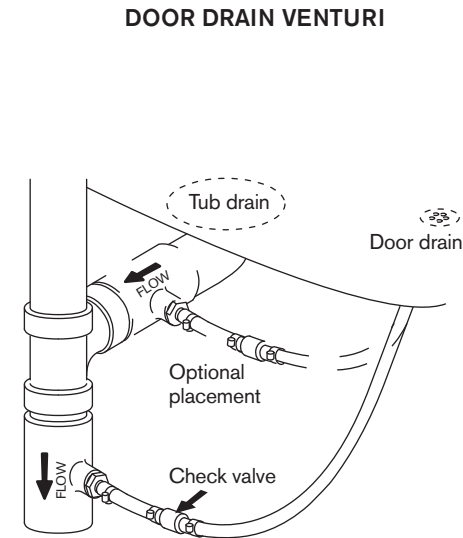
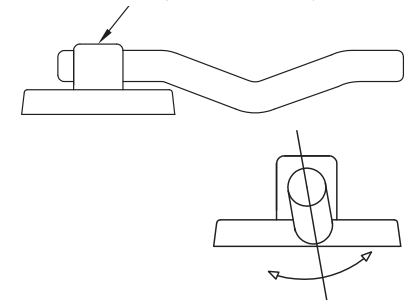


Figure 1

DOOR LATCH ADJUSTMENT

Set screw (1/8" Allen wrench)



To adjust pressure of door on door seal:

1. Loosen set screw with 1/8" Allen wrench.
2. Rotate lever as required for more or less pressure.
3. Tighten set screw.

Figure 2

STEP 1: RECEIVE AND UNCRATE BATHTUB UNIT

1. Inspect the packaging for damage that looks like it may affect the contents before accepting it from the carrier. Note any damage on the freight bill.
2. Uncrate the tub, inspect it for damage. If damage is found, file a claim with the carrier immediately.
3. Remove the screws that hold the tub to the pallet.
4. The access panels are held on by magnets. Remove these by pulling at the finger cut-out at the bottom of the panel and store them in a safe place until tub installation is complete.

Continue with Steps 2–4 on pages 4–6.

STEP 2: PREPARE THE BATHTUB

1. Install the plumbing rough-in on the deck (unless it was factory installed). **NOTE:** For easier access to plumbing, an additional access hole may be cut out of the side in an **alcove** or **corner** installation, as follows:
 - See Figure 6 for cutting dimension limitations.
 - Use a circular saw to make the cut.
 - Adjust the foot of the saw to the thickness of the material (approx. 5/8" to 1") to avoid damaging any existing or factory-installed plumbing.
2. For alcove and corner installations, attach side flanges to tub. See *Figures 4 and 5*.
3. Install the waste/overflow assembly and connect the door drain fitting to the drain.

Access panels may be removed during installation to prevent damage and make handling more convenient. Make sure panels are stored in a safe place to avoid damage, as they must be reattached after final installation.

Straight Wall Installation

- 1 Install the valve rough-in (unless it is factory installed)

Note: Step 2 does not apply to straight wall installations.

- 3 Install the waste/overflow and door drain fitting either through the plumbing access panel in the front or through the open back

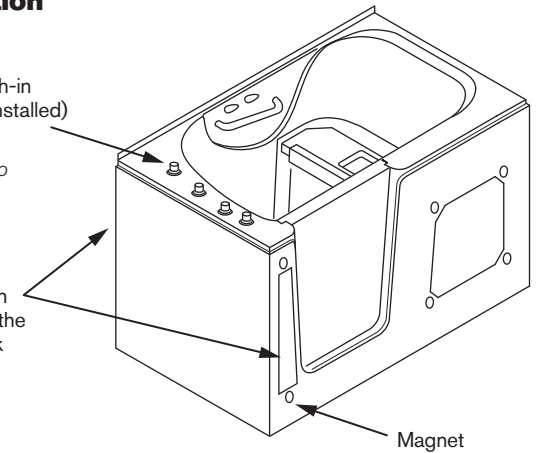


Figure 3

Alcove Installation

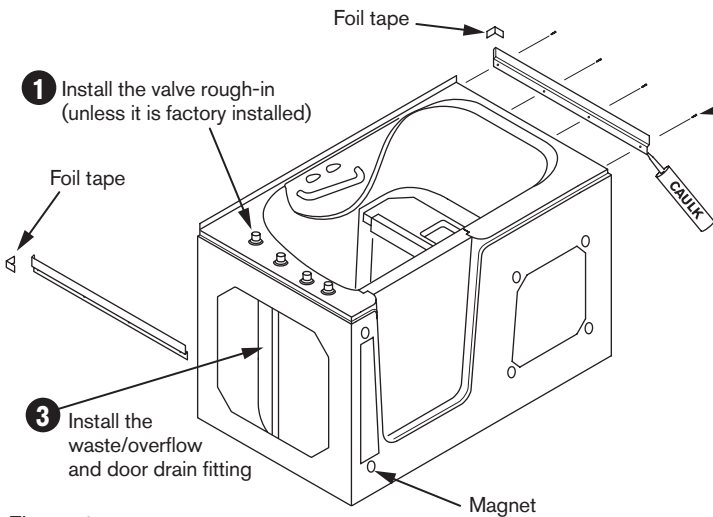


Figure 4

2 Attach side flanges:

- a. Lay a bead of silicone either on the flange or on tub where side flange will go.
- b. Screw the nailing flanges to the tub.
- c. Place the foil tape on the outside corner to continue where the back nailing flange will go.
- d. Lay one final bead of silicone along joint where tub and nailing flange meet.

Corner Installation

- 1 Install the valve rough-in (unless it is factory installed)

Foil tape

- 3 Install the waste/overflow and door drain fitting

Figure 5

STEP 3: PREPARE THE POCKET AREA

1. Remove the existing tub and the wall and floor materials as required.
2. For rough pocket area dimensions, refer to installation schematics below.
3. Make certain installation area has a flat surface that can support the combined weight of the tub, the water and the user; and that the wood support base will have full and level contact with the floor.
4. Follow all safety requirements as referenced under **IMPORTANT: READ AND FOLLOW ALL SAFETY INSTRUCTIONS** on page 2.
5. For built-in and custom units with water, air and microbubble systems, install the unit so the electrical panel can be accessed for servicing.

6. Have a licensed electrician install the power supply per these instructions and per the requirements of the National Electrical Code and the local authority having jurisdiction. Units equipped with a water, air, or microbubble jet system, require one dedicated circuit rated 20 amp/120 volt that is properly grounded and protected by a suitable GFCI outlet and a 20A circuit breaker.

Note: If the O3 Ozone Sanitation System option is included, the universal controller has a dedicated outlet for this plug.
7. Have a licensed plumber prepare the hot and cold water supply lines and the connection to the drain plumbing so that final connections can be made through an access opening once the tub is in its final position. The hot and cold plumbing connections and the drain, including the door drain outlet, should be installed to local codes.
8. After the area is prepared and the floor is clean and level, the tub can be moved into the pocket area.

9. For "reverse" plumbing (e.g., tub is placed in opposite orientation to avoid tub door being blocked by toilet), the drain plumbing may be run under the tub if necessary.

NOTE: A "remote" P-trap may not meet state, provincial or municipal plumbing code.

- **Connect only to a circuit protected by a Class A ground-fault circuit-interrupter.**
 - **Connect only to a branch circuit protected by an overcurrent protection device rated not more than 20 A.**
-
- *Brancher seulement à une dérivation protégée par un disjoncteur de fuite à la terre de Classe A.*
 - *Brancher à une dérivation protégée para un dispositif de protection contre les surintensités d'au plus 20 A.*

Alcove Installation

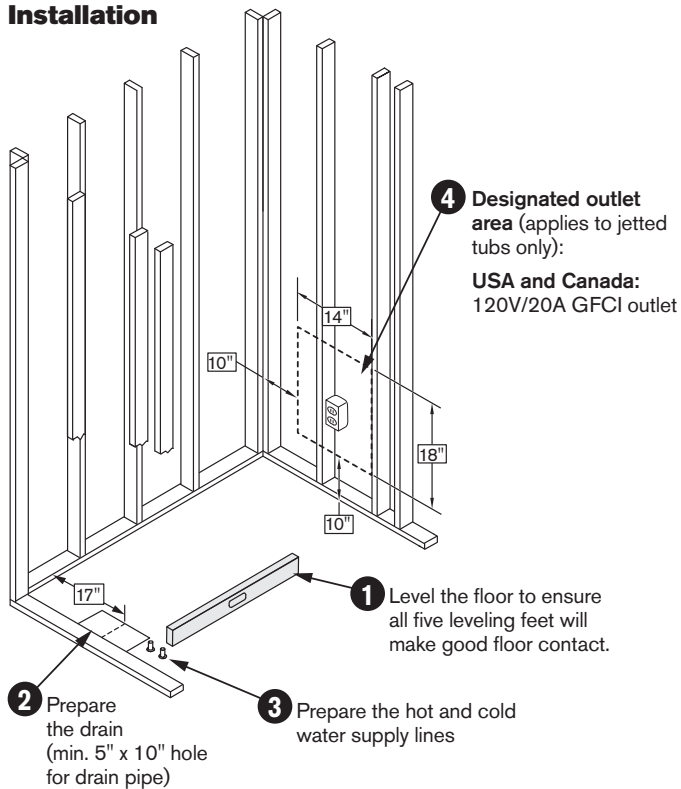


Figure 6

Corner Installation

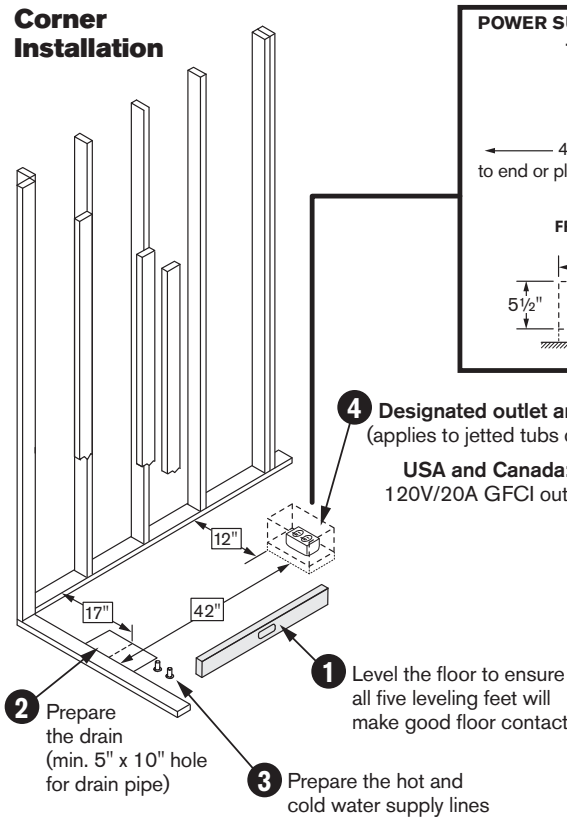
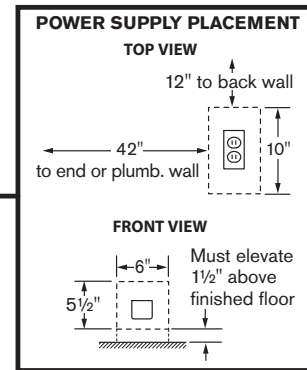


Figure 7



Straight Wall Installation

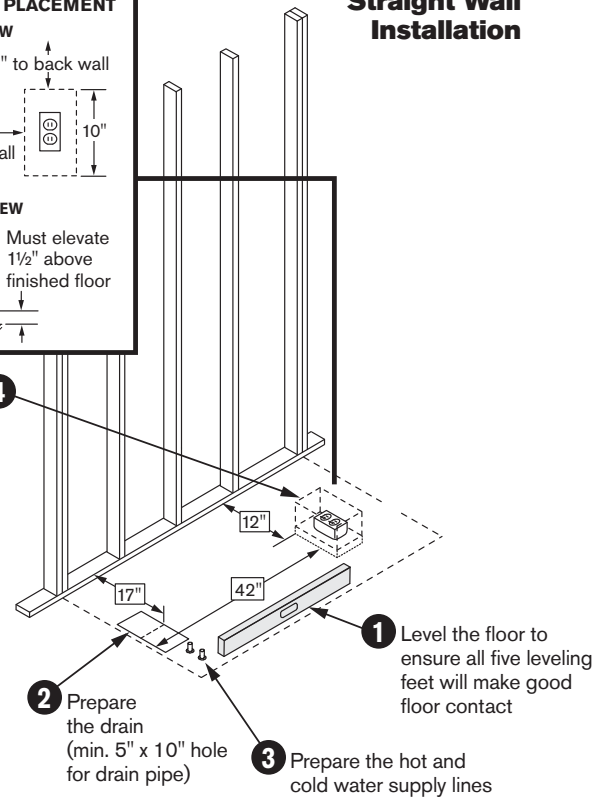


Figure 8

(continued on page 6)

! Bestbath® water, air and microbubble jet bathtubs may be equipped with a water mixing valve. **The desired valve settings must be completed by the installer.** Resetting or tampering with the valve mechanism may lead to serious injury. Refer to the temperature setting instructions supplied with the valves.

STEP 4: FINAL INSTALLATION

1. With all plumbing and electrical preparations complete and the floor clean, double-check the tubing or wires to ensure none have come loose. Then move the tub into final position.
2. Place a level on the flat part of the deck in both directions to check for level.
3. Pre-drill holes in the nailing flange and screw to the studs.
4. Make the final drain connection and hook up the hot and cold supply lines.

5. Before filling the tub with water, use a damp soft cloth to wipe down the door seal as well as the surface in the door jamb where it comes in contact with the seal. See *Figure 2* on page 3 for how to adjust pressure at the door seal.
Note: For the initial startup make sure the seal, door jamb and door are dry. Although each tub is water tested at the factory, it is the installer's responsibility to water test after installation. **Testing at this stage is critical** to ensure nothing happened during shipping, handling or installation that may result in a leak or poor seal.
6. Fill the tub, wait five minutes and then check for leaks at the door hinge, around the door seal and at all fittings and connections.

7. Turn the pump and/or blower on using the keypads inside the tub and let it run for at least five minutes. Check for leaks while the pump/blower is running and check again five minutes after it has been turned off. In places where a visual check is not possible, check for leaks by hand.
8. Adjust the temperature of the fill water to a level that is safe, taking into consideration any physical limitations the end user may have.
9. Attach the cable/lanyard to the magnet's screw and nut on the inside of access hole to meet code.
10. Reinstall the access panels.

Alcove Installation

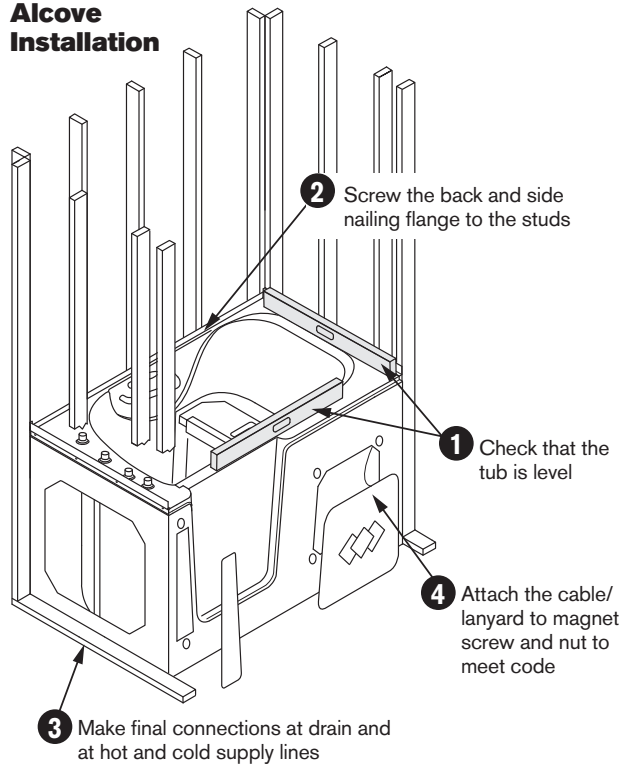


Figure 9

Corner Installation

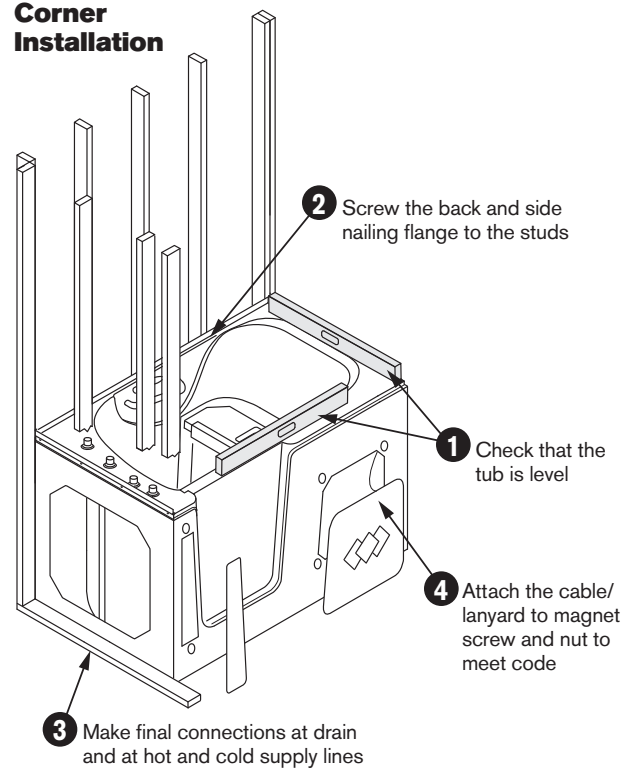


Figure 10

Straight Wall Installation

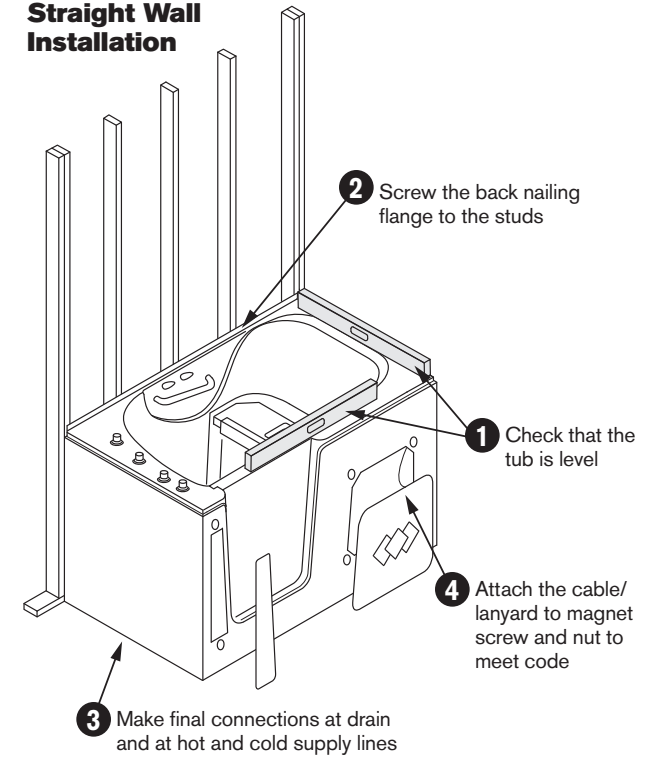


Figure 11