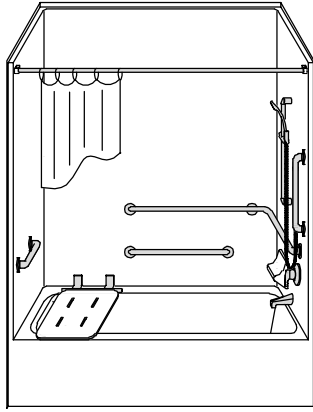
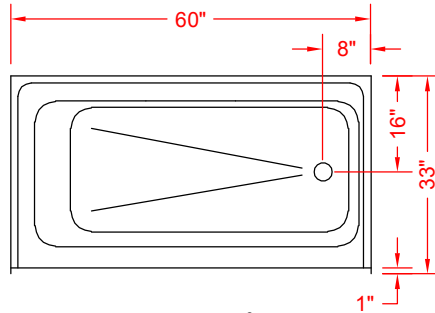


# MODEL: XSTS6032A17



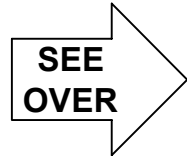
ALL ACCESSORIES OPTIONAL



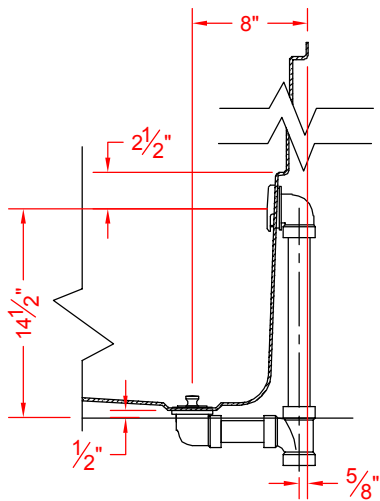
TOP VIEW - SCALE  $\frac{3}{8}'' = 1'-0''$



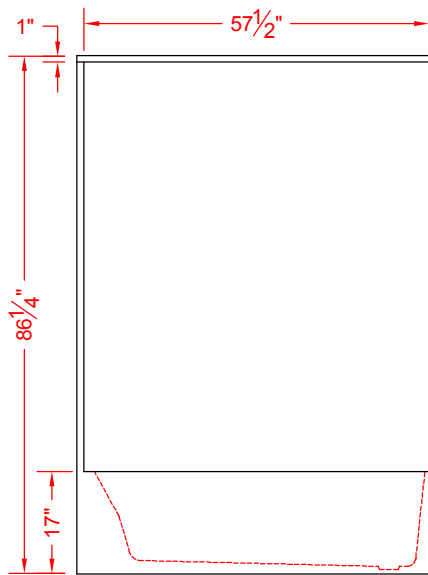
**ADA  
COMPLIANT**



**PERSPECTIVE VIEW - N.T.S.  
MODEL SHOWN HERE AS:  
LEFT SEAT  
RIGHT PLUMBING**



**ROUGH-IN DETAIL - N.T.S.  
(PARTS SUPPLIED BY OTHERS)**



FRONT ELEVATION - SCALE:  $\frac{3}{8}'' = 1'-0''$

## Features:

- ADA compliant bathtub
- Molded, one piece fiberglass tub/shower module
- "Smooth" wall finish, white (standard)
- Integral full wood backing for strength and unlimited accessory placement

\* - SEE BACK FOR DETAIL SECTIONS

## PRODUCT SPECIFICATIONS:

- One piece tub/shower module shall be constructed of gelcoat/fiberglass with full integral plywood backing
- Rough-In: Stud opening +1/4" -0" Nominal Dimensions.

C.S.I. FORMAT SPECIFICATION TEXT AVAILABLE

## PRODUCT INFORMATION:

- Accessories: Factory installed, unless prone to damage during installation/shipping. Polished chrome/satin stainless standard, others available.
- Colors: White as standard, others to match any major fixture manufacturer, also available with sprayable solid surface in many colors

## ACCESSORIES:

### INSTALLED AT FACTORY:

- Grab bar
- Seat, folding
- Mixing valve, pressure balanced, lever handle, preplumbed tee to supply elbow
- Vacuum breaker
- Soap dish

### INSTALLED BY OTHERS:

- Curtain and rod

## CODES:

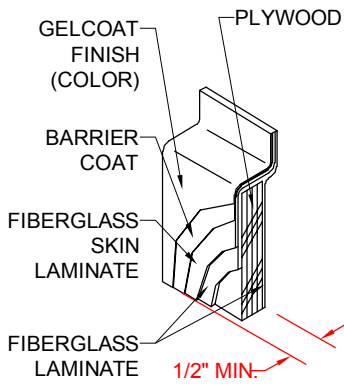
Designed and manufactured in compliance with the following standards and codes:

- A.N.S.I. Z124.1 Standards for Plastic Bathtubs
- I.P.C. International Plumbing Code
- A.D.A. Accessibility Guidelines for Buildings and Facilities
- A.N.S.I. A117.1 Accessible and Usable Buildings and Facilities
- U.P.C. Uniform Plumbing Code

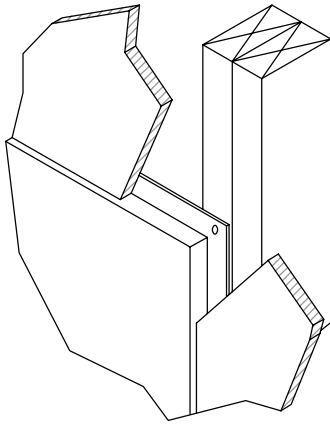
## NOTICE OF LIMITATION:



*We reserve the right to make revisions without notice in the design of fixtures or in packaging unless this right has specifically been waived at the time the order is accepted.*



**DETAIL B - SCALE: 3" = 1'-0"**  
**WALL SECTION DETAIL**



**DETAIL C - SCALE: NTS**  
**TYPICAL FRAMING**