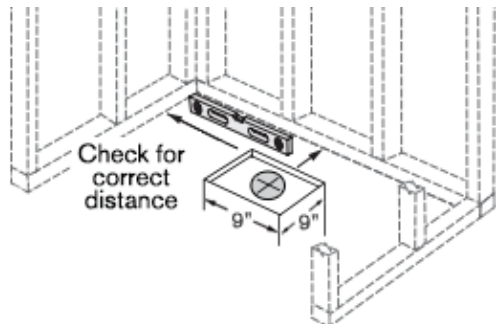


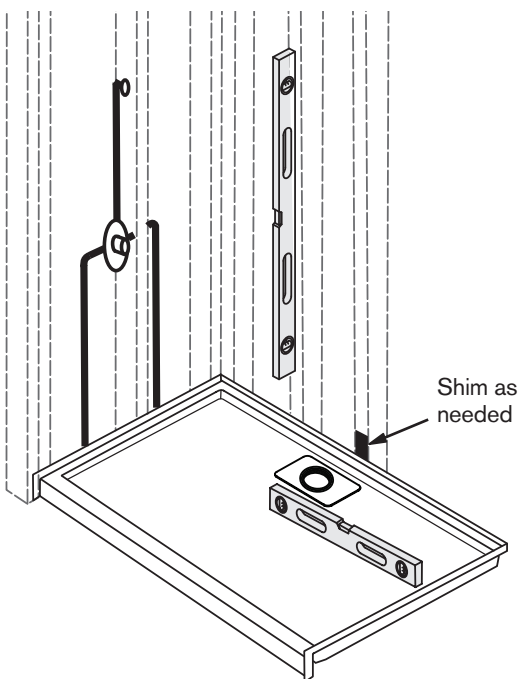
## Solid-Core Rear Square Drain Pan

with reinforced bottom for 1.25" and 1.5" thresholds

- 1 Check shower pocket area for level and for correct dimensions. Make sure drain hole in the floor is centered on a 9" x 9" and 3/4" deep cutout.



- 2 **DRY-FIT THE PAN:** Set pan in the pocket. You **MUST** use a level to ensure pan is level. Shim if necessary.

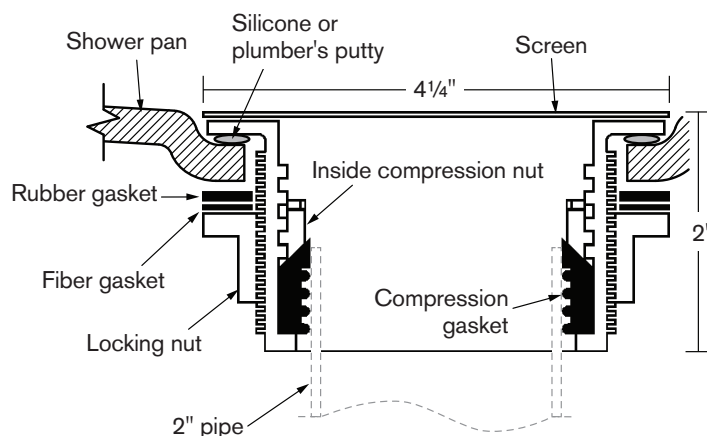


- 3 Remove pan from the framing pocket. Have a plumber install drain fitting in pan (see Steps 7–9). Plumber should also prepare drain pipe to receive the drain.

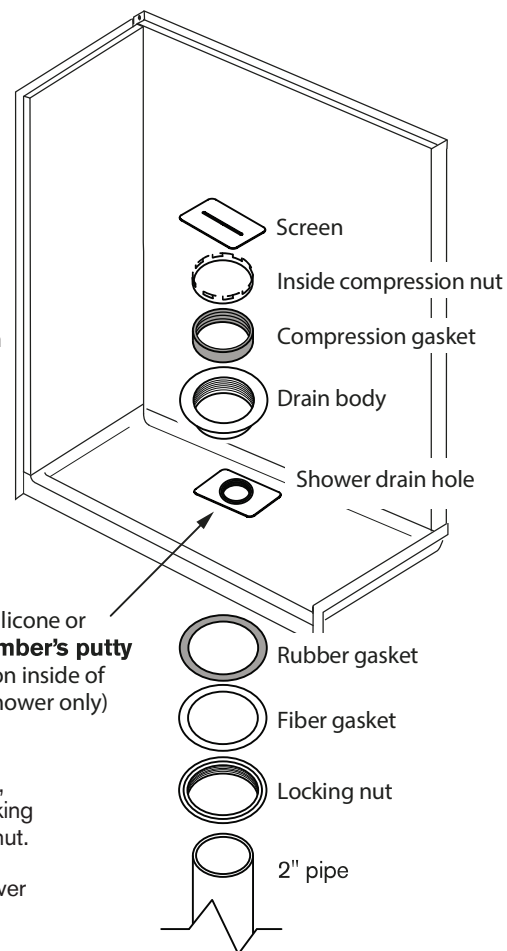
**!** To avoid deforming the pan, once drain fitting is installed **DO NOT** store the pan resting on the drain.

- 4 Sweep the floor and remove all debris from pocket area, then position pan in pocket.
- 5 Make sure floor drains properly by pouring water on it or checking it with a level. If in doubt, remove pan and review the previous steps.
- 6 Screw flanges to framing.

### Cross-section of required drain (installed)



- 7 Remove inside compression nut and compression gasket.
- 8 Apply silicone or plumber's putty around shower drain hole on the inside of shower only.
- 9 Install drain body in shower drain hole.



- 10 Install rubber gasket, fiber gasket and locking nut; tighten locking nut.
- 11 Install shower pan over drain pipe (or install pipe later.)
- 12 Slide inside compression gasket into drain body and slip over pipe. **Make sure beveled end of inside compression gasket is facing up and is flush with pipe surface.**
- 13 Tighten inside compression nut into drain body using the tool provided.
- 14 Insert square screen into the drain and press until it snaps in place.