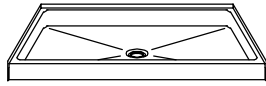


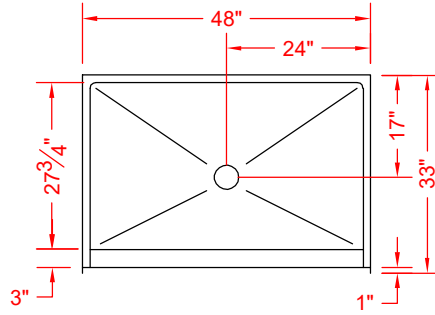
# MODEL: P4832.V2\*

# REMODELER

\*ALL ACCESSORIES OPTIONAL



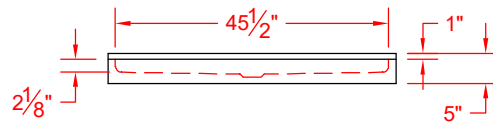
PERSPECTIVE VIEW - N.T.S.



TOP VIEW - SCALE  $\frac{3}{8}'' = 1'-0''$

## Features:

- Molded, one-piece gelcoat/fiberglass shower pan



FRONT ELEVATION - SCALE:  $\frac{3}{8}'' = 1'-0''$

### PRODUCT SPECIFICATIONS:

- Single-piece shower pan shall be constructed of gelcoat/fiberglass
- Rough-In: Stud opening +1/4" -0" Nominal Dimensions.

C.S.I. FORMAT SPECIFICATION TEXT AVAILABLE

### PRODUCT INFORMATION:

- Colors: White as standard, others to match any major fixture manufacturer, also available with sprayable solid surface in many colors

### OPTIONAL ACCESSORIES:

- INSTALLED BY OTHERS:
- No-caulk brass drain

### CODES:

- Designed and manufactured in compliance with the following standards and codes:
- ANSI Z124.2 Standards for Plastic Showers

### NOTICE OF LIMITATION:

- Does not meet:
- IPC International Plumbing Code
- UPC Uniform Plumbing Code



*We reserve the right to make revisions without notice in the design of fixtures or in packaging unless this right has specifically been waived at the time the order is accepted.*