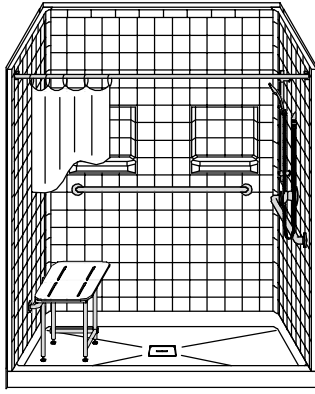


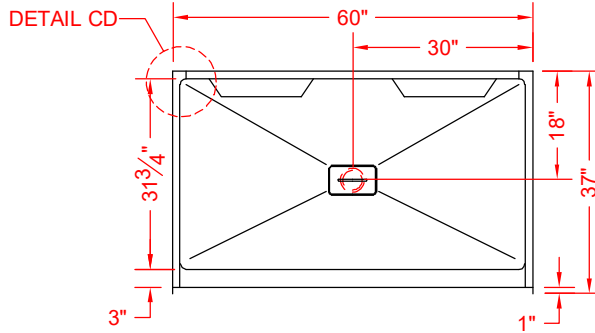
# MODEL: 5LRS6036SQ.V2\*

# REMODELER

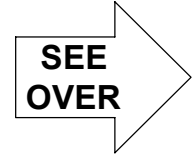
\*ALL ACCESSORIES OPTIONAL



**PERSPECTIVE VIEW - N.T.S.**  
MODEL SHOWN HERE AS:  
RIGHT PLUMBING

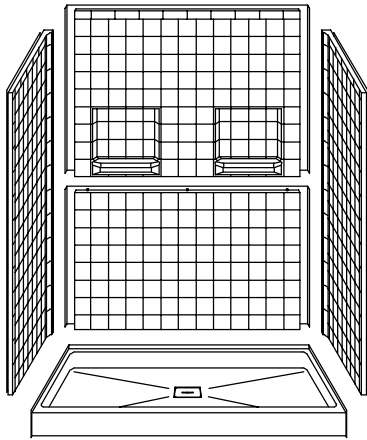


**TOP VIEW - SCALE  $\frac{3}{8}$ " = 1'-0"**

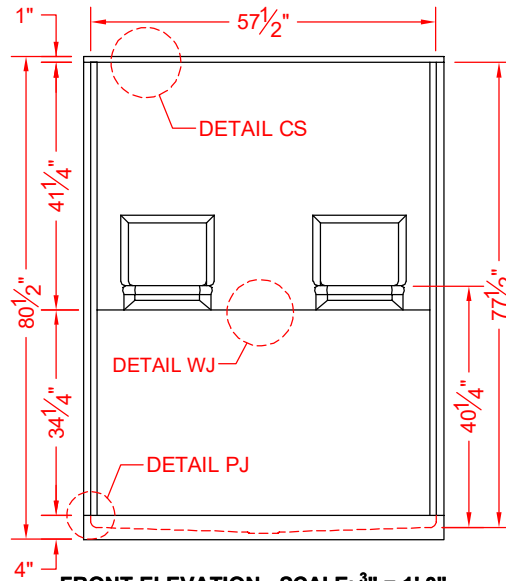


## Features:

- Molded, five-piece gelcoat/fiberglass shower module
- "RealTile" wall finish, white (standard)
- Integral full wood backing for strength and unlimited accessory placement



**ASSEMBLY VIEW - N.T.S.**



**FRONT ELEVATION - SCALE:  $\frac{3}{8}$ " = 1'-0"**

\* - SEE BACK FOR DETAIL SECTIONS

## PRODUCT SPECIFICATIONS:

- Multi-piece shower module shall be constructed of gelcoat/fiberglass with full integral plywood backing
- Rough-In: Stud opening +1/4" -0" Nominal Dimensions.

C.S.I. FORMAT SPECIFICATION TEXT AVAILABLE

## PRODUCT INFORMATION:

- Accessories: Factory installed, unless prone to damage during installation/shipping. Polished chrome/satin stainless standard, others available.
- Colors: White as standard, others to match any major fixture manufacturer, also available with sprayable solid surface in many colors

## OPTIONAL ACCESSORIES:

### INSTALLED BY OTHERS:

- Seat, folding
- Grab bar
- Soap dish
- Mixing valve, pressure-balancing, lever handle, pre-plumbed tree to supply elbow
- Curtain rod brackets
- Curtain and rod
- Drain grate and No-caulk brass drain (INCLUDED)

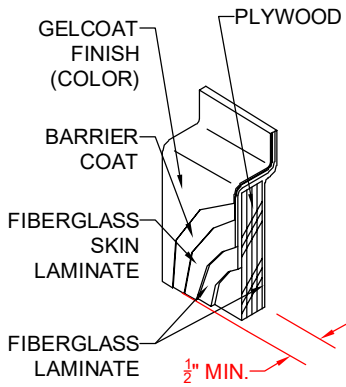
## CODES:

- Designed and manufactured in compliance with the following standards and codes:
- ANSI Z124.2 Standards for Plastic Showers
- IPC International Plumbing Code
- UPC Uniform Plumbing Code

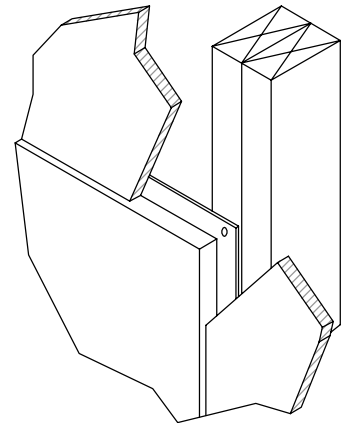
## NOTICE OF LIMITATION:



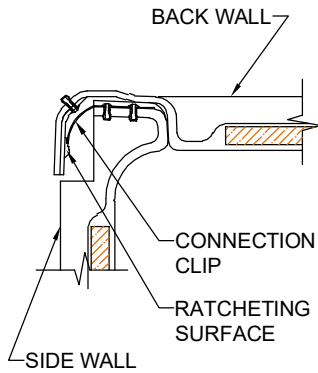
*We reserve the right to make revisions without notice in the design of fixtures or in packaging unless this right has specifically been waived at the time the order is accepted.*



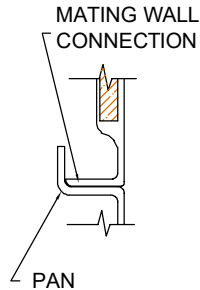
**DETAIL CS - SCALE: N.T.S.**  
**CROSS SECTION DETAIL**



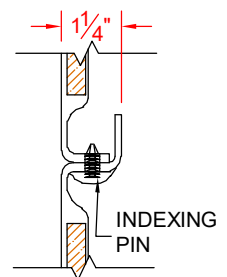
**DETAIL DD - SCALE: N.T.S.**  
**DRYWALL DETAIL**



**DETAIL CD - SCALE: 3" = 1'-0"**  
**CORNER DETAIL**



**DETAIL PJ - SCALE: 3" = 1'-0"**  
**PAN JOINT DETAIL**



**DETAIL WJ - SCALE: 3" = 1'-0"**  
**WALL JOINT DETAIL**