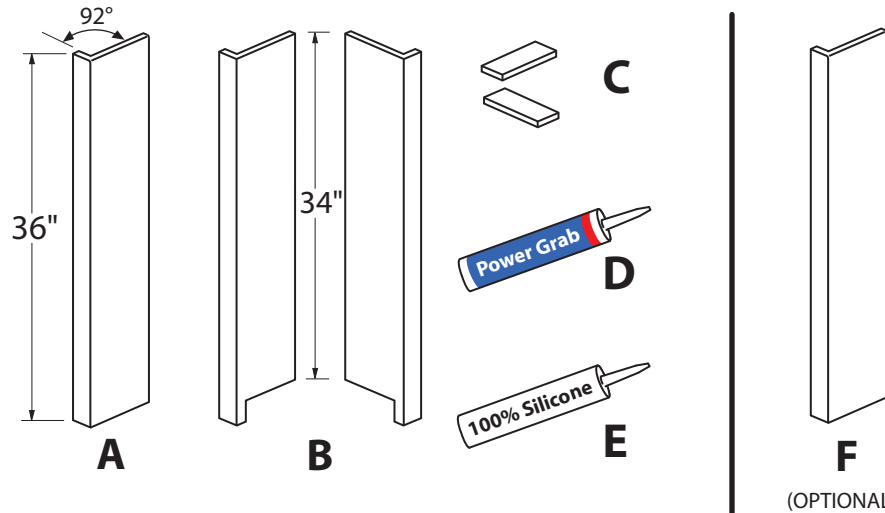
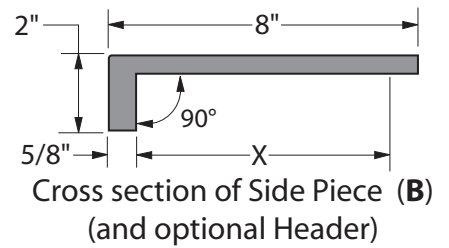
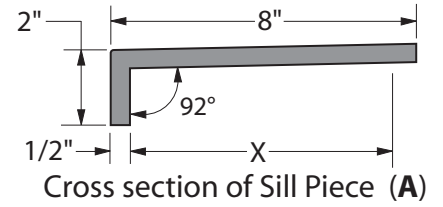


Window Trim Kit
WTK37 and WTK37H (WITH HEADER)



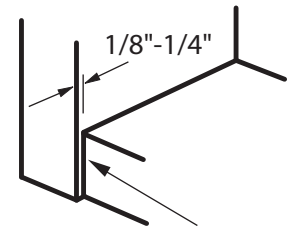
Window Trim Kit contents:

- A** 1 ea 36" long Sill Piece (92° for drain-off) Radii on Left end
- B** 2 ea 36" long Side pieces (90°)
- C** 2 ea Top Trim Pieces (not included with Header kit)
- D** 1 ea Tube of Power Grab construction adhesive
- E** 1 ea Tube of white 100 % silicone
- F** OPTIONAL HEADER 1 ea 36" long Sill Piece (90°)
- G** (WITH HEADER ONLY) 4 ea #8 x 1-1/2" Header mounting screws



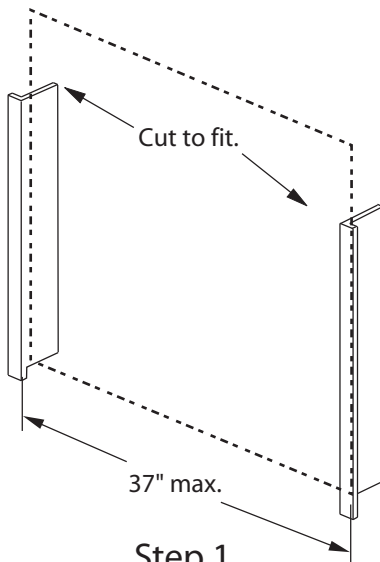
Material:

1/2" thick cast polyester with matching gelcoat finish



Cut Side piece 1/8"-1/4" wider for cleaner caulking into corners

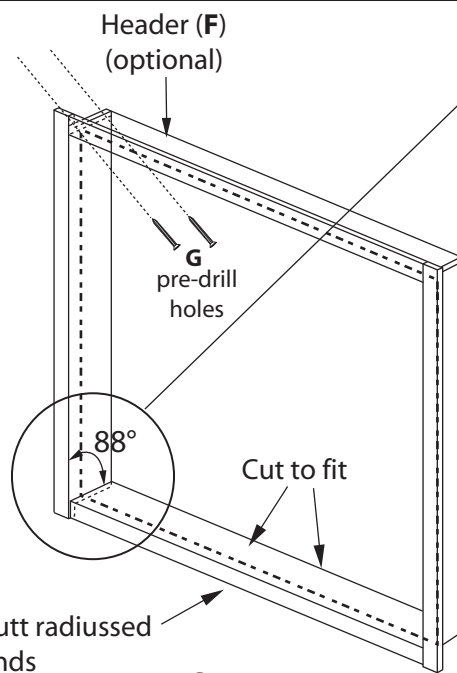
Installation:



Step 1

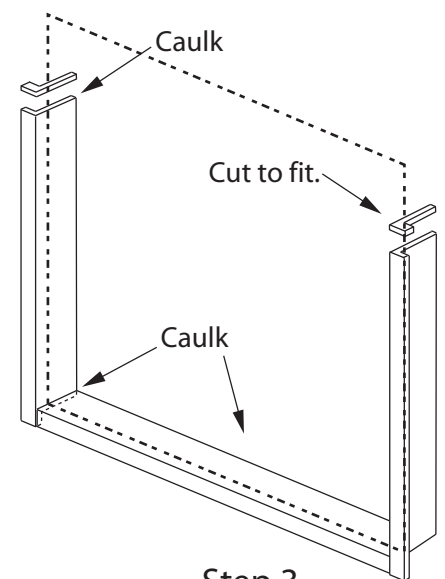
Cut* Side Pieces (B) to length and width and install with Power Grab. Brace or tape as needed until the Power Grab hardens.

*Cut with a jig saw with bi-metal blade where edge chipping will not be covered with silicone or otherwise with a power saw.



Step 2

Cut Sill Pieces (A) to length and width (cut slightly narrower than side pieces) and install TIPPED FORWARD approx. 2 degrees or 1/16" - 1/8" for water run-off.



Step 3

Cut Top Trim Pieces (C) to fit and install.

Step 4

Caulk all joints and corners.