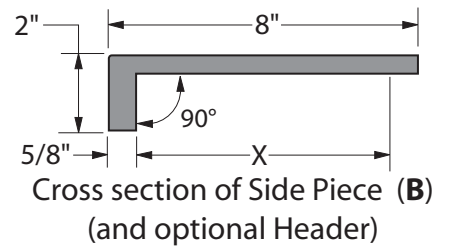
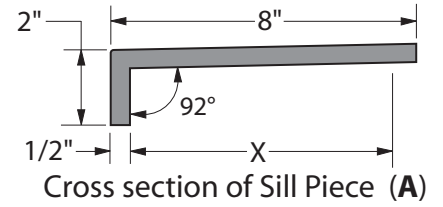
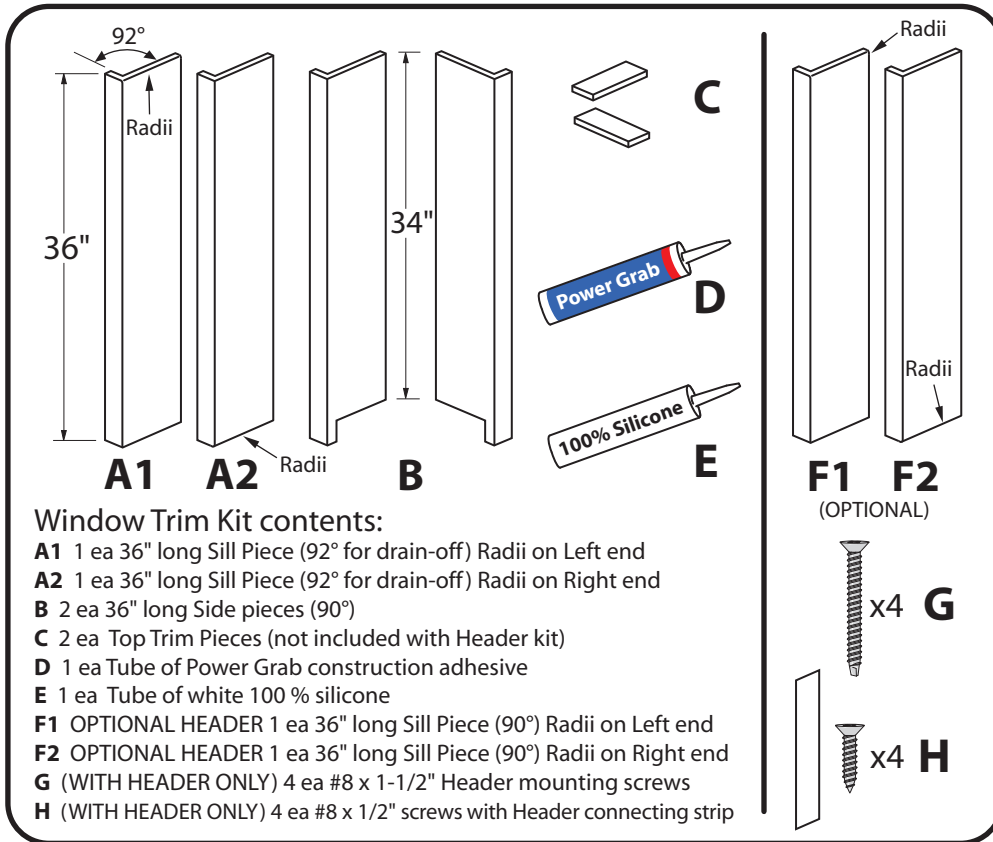
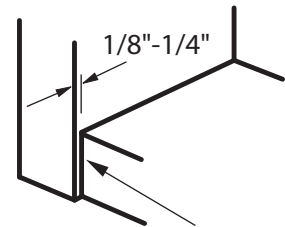


Window Trim Kit WTK73 and WTK73H (WITH HEADER)



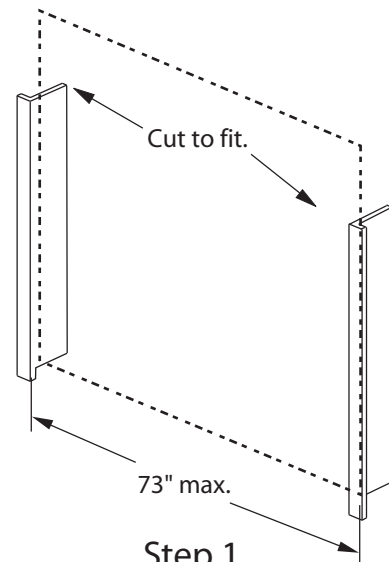
Material:

1/2" thick cast polyester with matching gelcoat finish



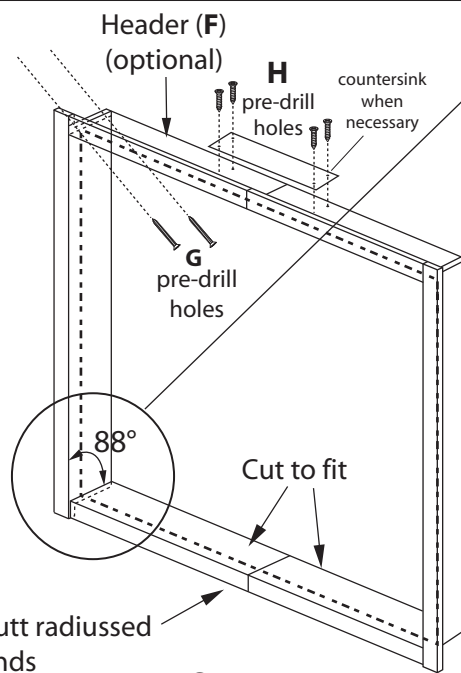
Cut Side piece 1/8"-1/4" wider for cleaner caulking into corners

Installation:

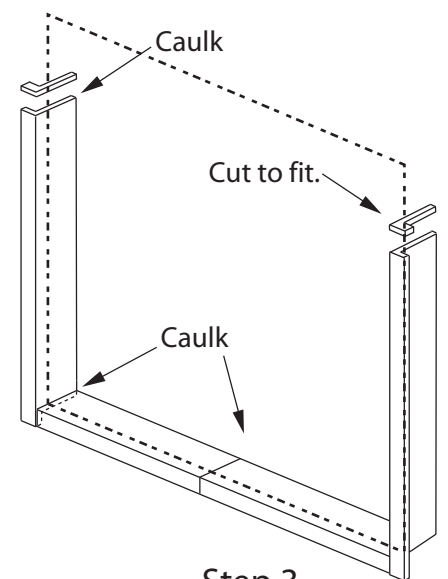


Cut* Side Pieces (B) to length and width and install with Power Grab. Brace or tape as needed until the Power Grab hardens.

*Cut with a jig saw with bi-metal blade where edge chipping will not be covered with silicone or otherwise with a power saw.



Cut Sill Pieces (A) to length and width (cut slightly narrower than side pieces) and install TIPPED FORWARD approx. 2 degrees or 1/16" - 1/8" for water run-off.



Cut Top Trim Pieces (C) to fit and install.

Step 4
Caulk all joints and corners.