

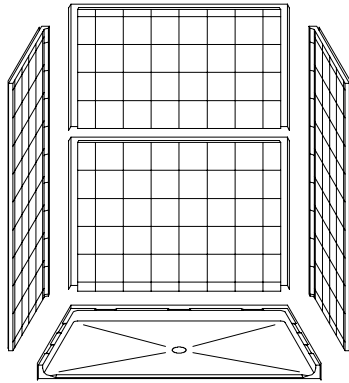


CA TITLE 24 COMPLIANT

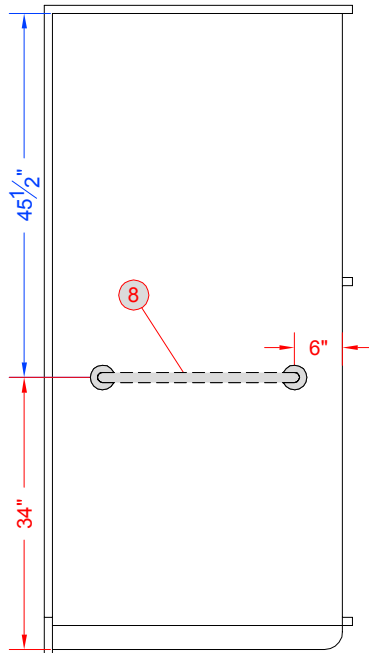


DIMENSIONS IN BLUE ARE FOR INTERNAL USE ONLY

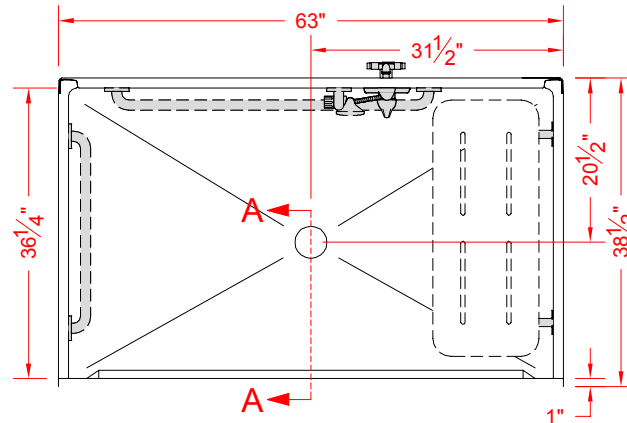
ADA/ANSI/CA TITLE 24 COMPLIANT WHEN FULLY EQUIPPED



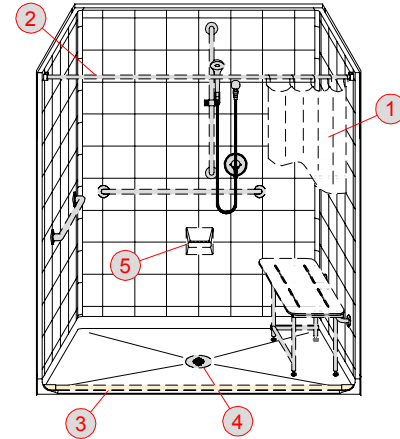
ASSEMBLY VIEW - N.T.S.



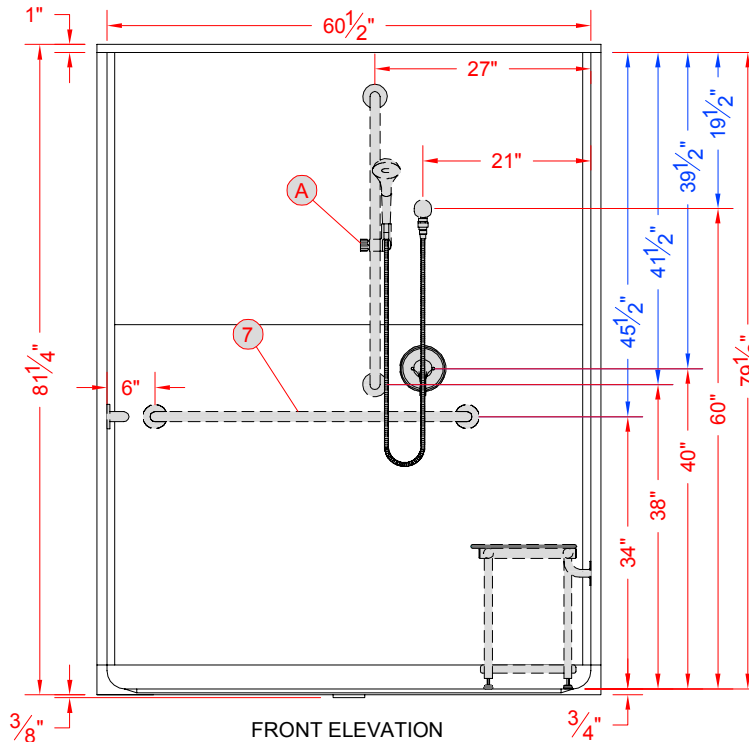
INT. LEFT ELEVATION



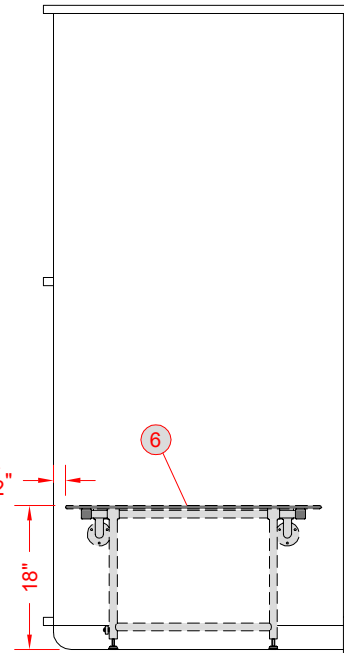
TOP VIEW



PERSPECTIVE - N.T.S.



FRONT ELEVATION



INT. RIGHT ELEVATION

E	---	---
D	---	---
C	---	---
B	---	---
A	---	---
REV	CHANGE	DATE

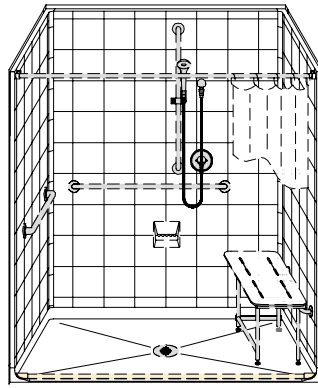
PROJECT:  
COMPANY:



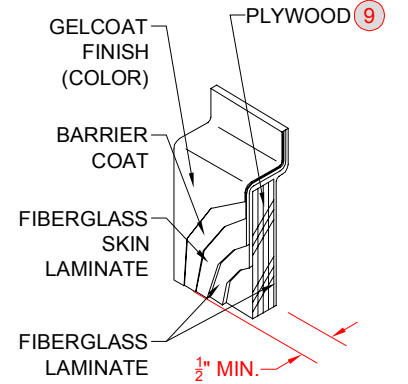
NOTES:  
 • Rough-in stud opening +1/4" -0" nominal dimensions  
 • All vertical accessory dimensions are measured from the floor of the shower.  
 • Best Bath Systems, Inc. retains ownership of all product designs and any proprietary information may not be disclosed to its competitors, their agents or affiliates.

DB: MA	SCALE: 1/2" = 1'-0"	DATE: 10/23/16
CB: PVR	SHEET 1 OF 2	DRAWING NUMBER: 13545

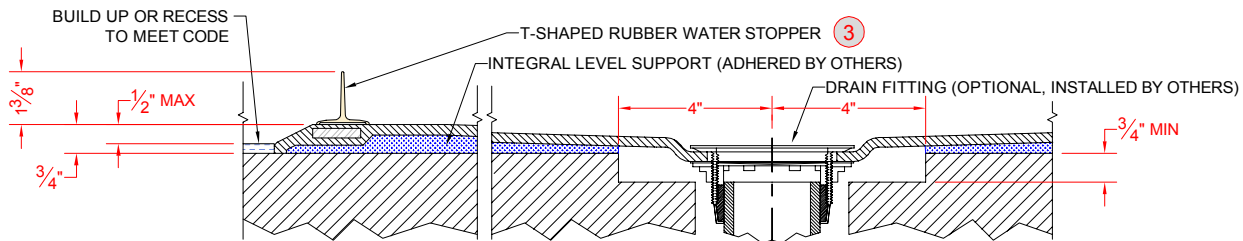
ACCEPTED AS CORRECT BY:  
 X \_\_\_\_\_ / /



PERSPECTIVE N.T.S.



LAMINATE DETAIL C - SCALE: 3" = 1'-0"



SECTION A-A - SCALE: NTS

**NOTE: INSTALLATION-CRITICAL POINTS**  
 -DRAIN DEPRESSION TO BE 8" x 8" OR 8" DIAM. +/- 1/2".  
 -CENTER DRAIN FITTING/PIPE ON THE DEPRESSION.  
 -ADJUST DEPRESSION DEPTH AS NEEDED TO PREVENT INTERFERENCE.  
 -SHOWER MAY NOT BE "MUD-SET", USE PROVIDED EPOXY ONLY.

**VALVE PACKAGE DETAILS:**

A	1	SYMMONS VALVE PACKAGE 9603-PLR-X-1.5 - PRESSURE BALANCING VALVE WITH LEVER HANDLE, 36" GRAB/GLIDE BAR, 1.5 GPM HAND SHOWER, 60" HOSE, SUPPLY ELBOW, AND VACUUM BREAKER		ACXSYM1155		✓		✓
<b>PLUMBING TREE:</b>		COPPER PTS101 - SYMMONS STANDARD 20" WITH VALVE		COPPERTREE		✓		✓
<b>PT NIPPLE SIZE:</b>	STANDARD 2.5" NIPPLE	<b>SUPPLY TEST:</b>	STANDARD	020PLUM1003		✓		
<b>PLUMBING TREE CUSTOM PARTS:</b>		N/A						

FOR THE PROTECTION OF YOUR ACCESSORIES, SOME ITEMS INCLUDED IN THE VALVE PACKAGE WILL NOT BE INSTALLED AT THE FACTORY. THESE ITEMS INCLUDE, BUT ARE NOT LIMITED TO, THE SUPPLY ELBOW, VACUUM BREAKER, HOSE, AND HAND SHOWER.

15								
14								
13								
12								
11								
10								
9	-	FULL PLYWOOD BACKING				✓		
8	1	24" x 1-1/4" GRAB BAR		GB24QSS		✓		✓
7	1	39" x 1-1/4" GRAB BAR		GB39QSS		✓		✓
6	1	32" x 15" FOLD DOWN SEAT WITH SWING DOWN LEGS, PHENOLIC		SE3215PHSO		✓		✓
5	1	SURFACE MOUNT SOAP DISH, SMALL	WHITE	SOAPDISHSM		✓		
4	1	OATEY 42150 NO CAULK BRASS DRAIN WITH STAINLESS STEEL SCREEN AND 42157 GASKET FOR CONNECTION TO NO-HUB CAST IRON PIPE		KACXDRAIN2002		✓		✓
3	1	T-SHAPED RUBBER WATER STOPPER KIT, 5 FT, UNIVERSAL	BEIGE	KTWSB5U		✓		
2	1	20 GAUGE STAINLESS CURTAIN ROD WITH MOUNTING BRACKETS		KACXROD62.5		✓		
1	1	66" x 74" CURTAIN WITH RINGS		ACXCURT0005		✓		
<b>KEY</b>	<b>QTY.</b>	<b>DESCRIPTION</b>	<b>COLOR</b>	<b>PART NUMBER</b>	<b>FACTORY INSTALLED</b>	<b>INSTALLED BY OTHERS</b>	<b>MARK LOCATION ONLY</b>	<b>PRE-DRILL HOLES</b>

**PARTS LIST**

	<b>NOTES:</b>	DATE: 10/23/16
	WP2	DRAWING NUMBER: 13545
	REFER TO SHEET 1 OF 2 FOR ACCESSORY LOCATIONS	SHEET 2 OF 2