

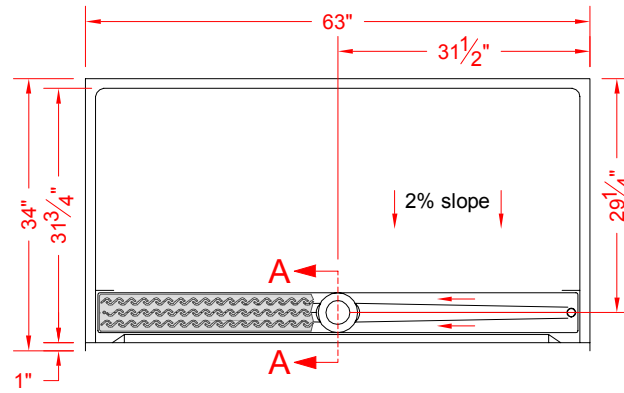


ADA/ANSI/CA TITLE 24
COMPLIANT WHEN FULLY
EQUIPPED

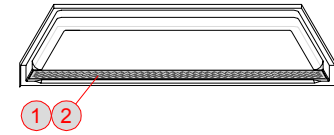
CA TITLE 24
COMPLIANT



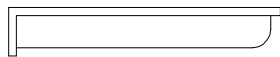
DIMENSIONS
IN BLUE
ARE FOR
INTERNAL
USE ONLY



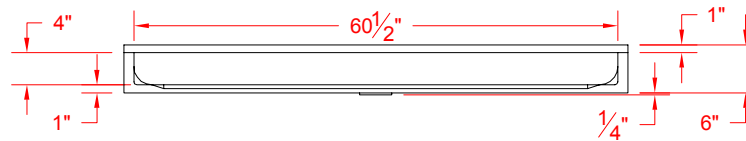
TOP VIEW



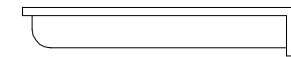
PERSPECTIVE - N.T.S.



INT. LEFT ELEVATION



FRONT ELEVATION



INT. RIGHT ELEVATION

E	---	---
D	---	---
C	---	---
B	---	---
A	---	---
REV	CHANGE	DATE

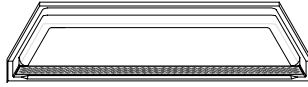
PROJECT:
COMPANY:



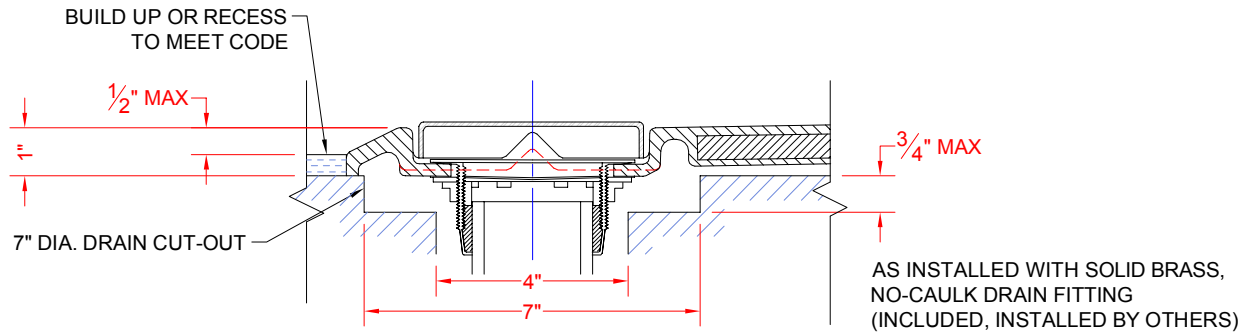
NOTES:
 • Rough-in stud opening +1/4" -0" nominal dimensions
 • All vertical accessory dimensions are measured from the floor of the shower.
 • Best Bath Systems, Inc. retains ownership of all product designs and any proprietary information may not be disclosed to its competitors, their agents or affiliates.

DB:MA	SCALE: 1/2" = 1'-0"	DATE: 10/16/16
CB:PVR	SHEET 1 OF 2	DRAWING NUMBER: 13563

ACCEPTED AS CORRECT BY:
 X _____ / /



PERSPECTIVE N.T.S.



SECTION A-A - SCALE: NTS

VALVE PACKAGE DETAILS:

A	-	N/A						
PLUMBING TREE:		N/A						
PT NIPPLE SIZE:		N/A		SUPPLY TEST:		N/A		
PLUMBING TREE CUSTOM PARTS:		N/A						

FOR THE PROTECTION OF YOUR ACCESSORIES, SOME ITEMS INCLUDED IN THE VALVE PACKAGE WILL NOT BE INSTALLED AT THE FACTORY. THESE ITEMS INCLUDE, BUT ARE NOT LIMITED TO, THE SUPPLY ELBOW, VACUUM BREAKER, HOSE, AND HAND SHOWER.

15								
14								
13								
12								
11								
10								
9								
8								
7								
6								
5								
4								
3								
2	-	TRENCH DRAIN GRATE WITH BRASS NO-CAULK DRAIN INLCUDED					✓	
1	1	OATEY 42157 GASKET FOR CONNECTION TO CAST IRON PIPE		ACXDRAIN1007			✓	
KEY	QTY.	DESCRIPTION	COLOR	PART NUMBER	FACTORY INSTALLED	INSTALLED BY OTHERS	MARK LOCATION ONLY	PRE-DRILL HOLES

PARTS LIST



NOTES:
N/A

REFER TO SHEET 1 OF 2 FOR ACCESSORY LOCATIONS

DATE: 10/16/16
DRAWING NUMBER: 13563