

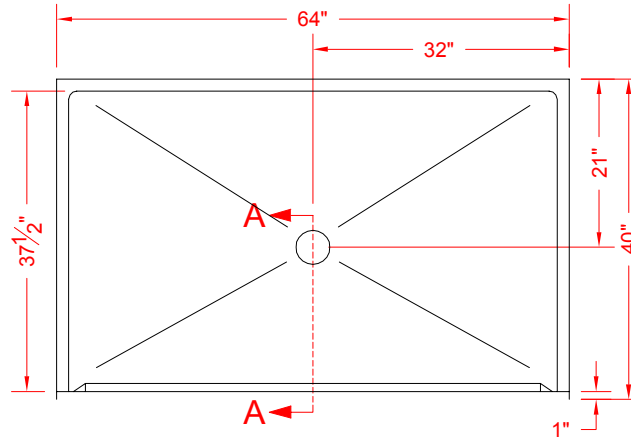


ADA/ANSI/CA TITLE 24 COMPLIANT
WHEN FULLY EQUIPPED

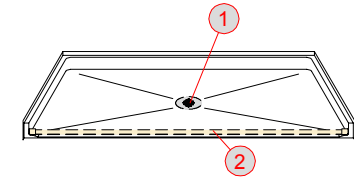
CA TITLE 24
COMPLIANT



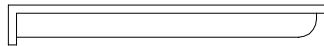
DIMENSIONS
IN BLUE
ARE FOR
INTERNAL
USE ONLY



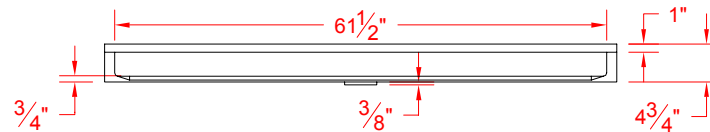
TOP VIEW



PERSPECTIVE - N.T.S.



INT. LEFT ELEVATION



FRONT ELEVATION



INT. RIGHT ELEVATION

E	---	---
D	---	---
C	---	---
B	---	---
A	---	---
REV	CHANGE	DATE

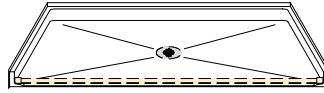
PROJECT:
COMPANY:



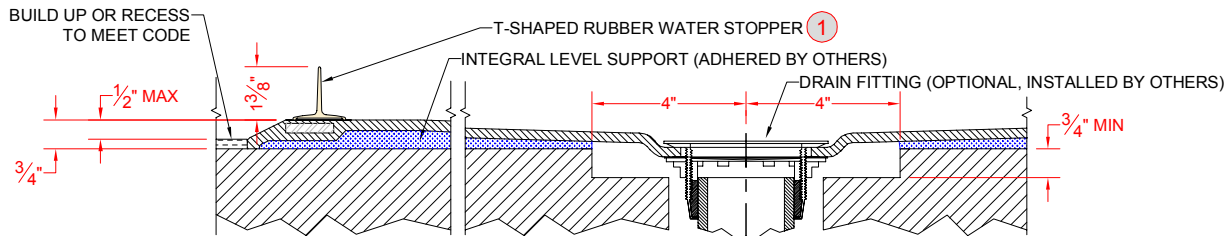
NOTES:
 • Rough-in stud opening +1/4" -0" nominal dimensions
 • All vertical accessory dimensions are measured from the floor of the shower.
 • Best Bath Systems, Inc. retains ownership of all product designs and any proprietary information may not be disclosed to its competitors, their agents or affiliates.

DB:MA	SCALE: 1/2" = 1'-0"	DATE: 09/18/16
CB:PVR	SHEET 1 OF 2	DRAWING NUMBER: 13569

ACCEPTED AS CORRECT BY:
 X _____ / /



PERSPECTIVE N.T.S.



SECTION A-A - SCALE: NTS

NOTE: INSTALLATION-CRITICAL POINTS
 -DRAIN DEPRESSION TO BE 8" x 8" OR 8" DIAM. +/- 1/2".
 -CENTER DRAIN FITTING/PIPE ON THE DEPRESSION.
 -ADJUST DEPRESSION DEPTH AS NEEDED TO PREVENT INTERFERENCE.
 -SHOWER MAY NOT BE "MUD-SET", USE PROVIDED EPOXY ONLY.

VALVE PACKAGE DETAILS:

A	-	N/A						
PLUMBING TREE:		N/A						
PT NIPPLE SIZE:		N/A	SUPPLY TEST:	N/A				
PLUMBING TREE CUSTOM PARTS:		N/A						

FOR THE PROTECTION OF YOUR ACCESSORIES, SOME ITEMS INCLUDED IN THE VALVE PACKAGE WILL NOT BE INSTALLED AT THE FACTORY. THESE ITEMS INCLUDE, BUT ARE NOT LIMITED TO, THE SUPPLY ELBOW, VACUUM BREAKER, HOSE, AND HAND SHOWER.

15								
14								
13								
12								
11								
10								
9								
8								
7								
6								
5								
4								
3								

2	1	KIT - INCLUDES OATEY 42150 NO-CAULK BRASS DRAIN FOR PVC/ABS AND LOOSE OATEY 42157 GASKET FOR CONNECTION TO NO-HUB CAST IRON PIPE		KACXDRAIN2002		✓		✓
1	1	T-SHAPED RUBBER WATER STOPPER KIT, 5 FT, UNIVERSAL	BEIGE	KTWSB5U		✓		
KEY	QTY.	DESCRIPTION	COLOR	PART NUMBER	FACTORY INSTALLED	INSTALLED BY OTHERS	MARK LOCATION ONLY	PRE-DRILL HOLES

PARTS LIST

	NOTES:	DATE: 09/18/16
	WP2	DRAWING NUMBER: 13569
	REFER TO SHEET 1 OF 2 FOR ACCESSORY LOCATIONS	SHEET 2 OF 2